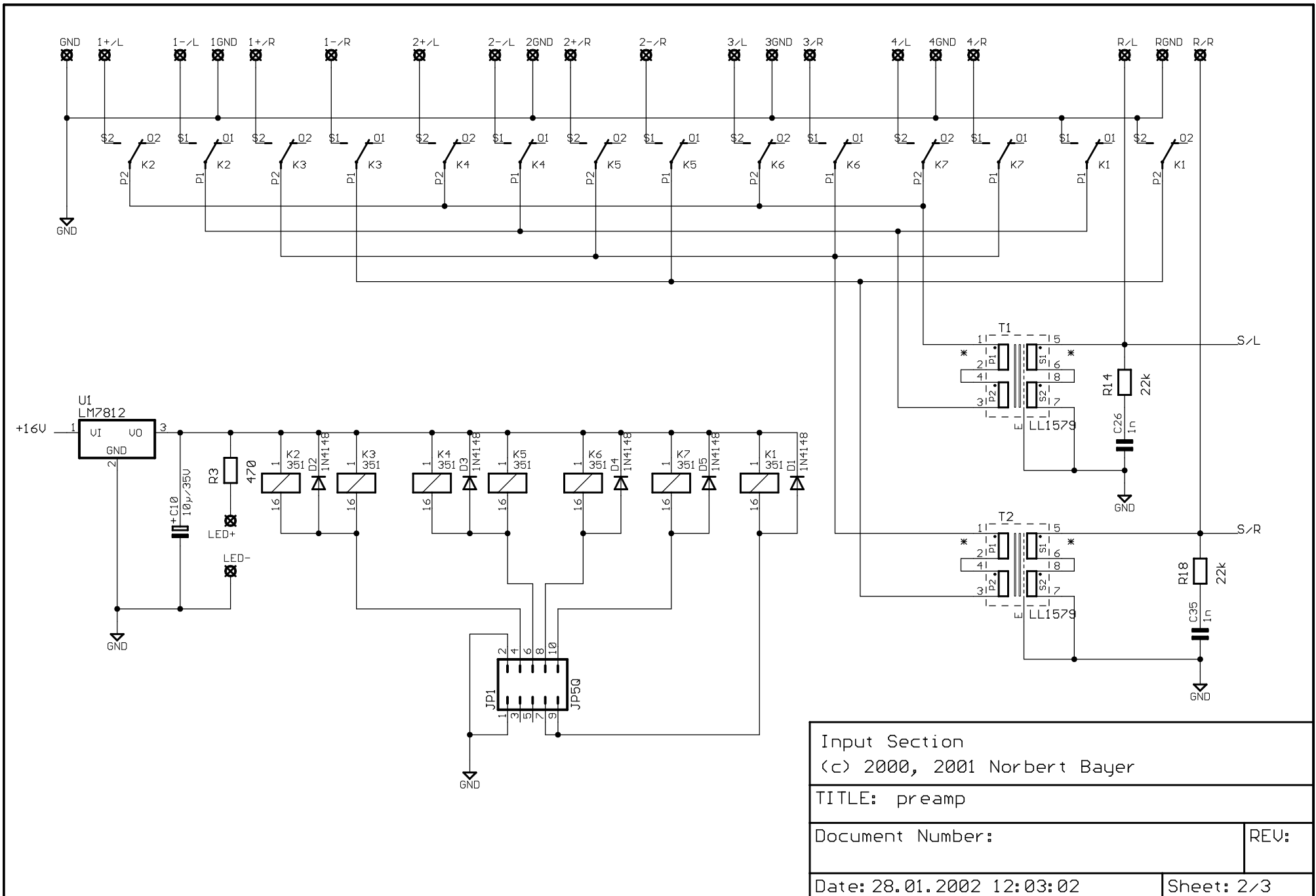
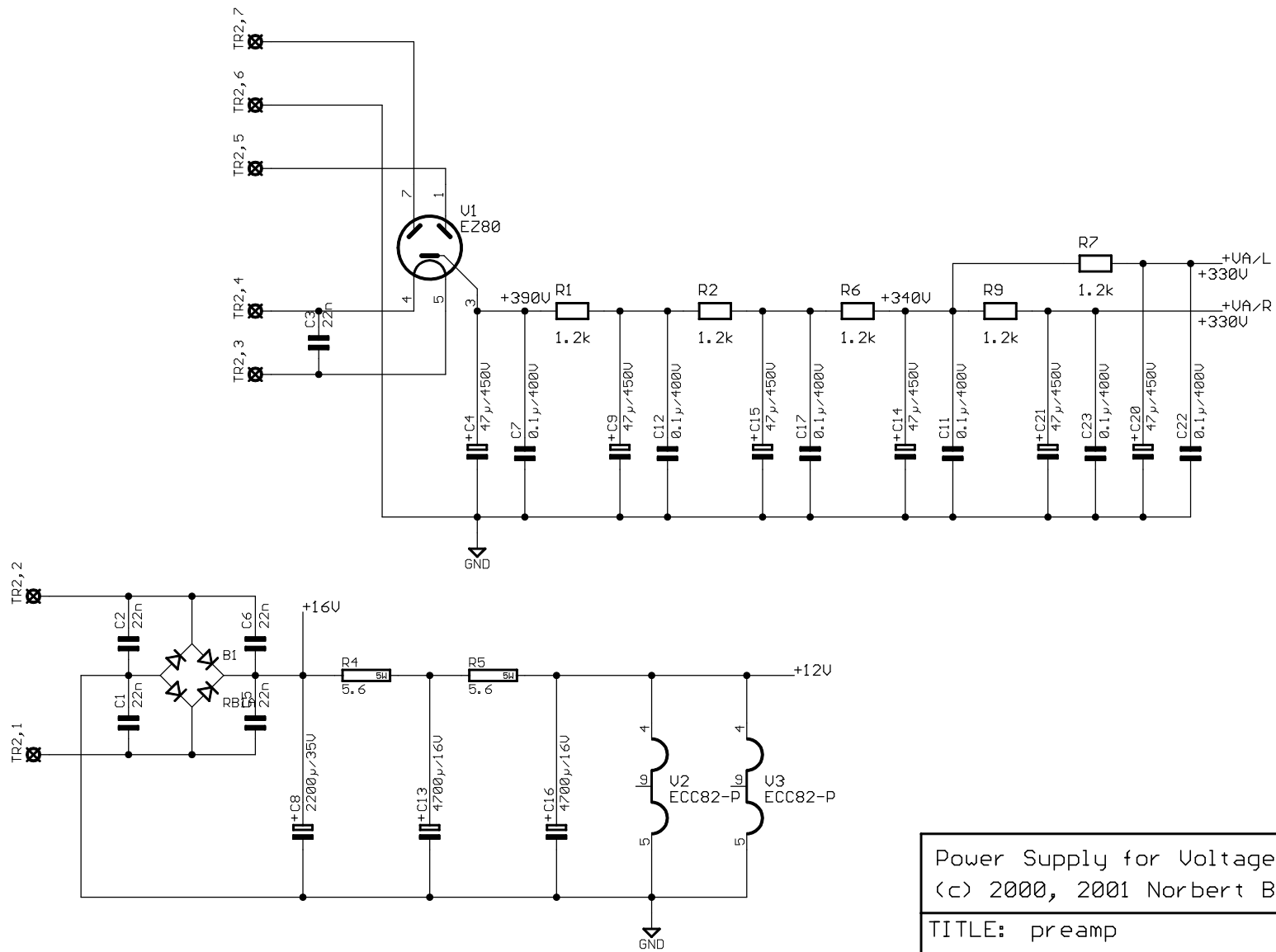


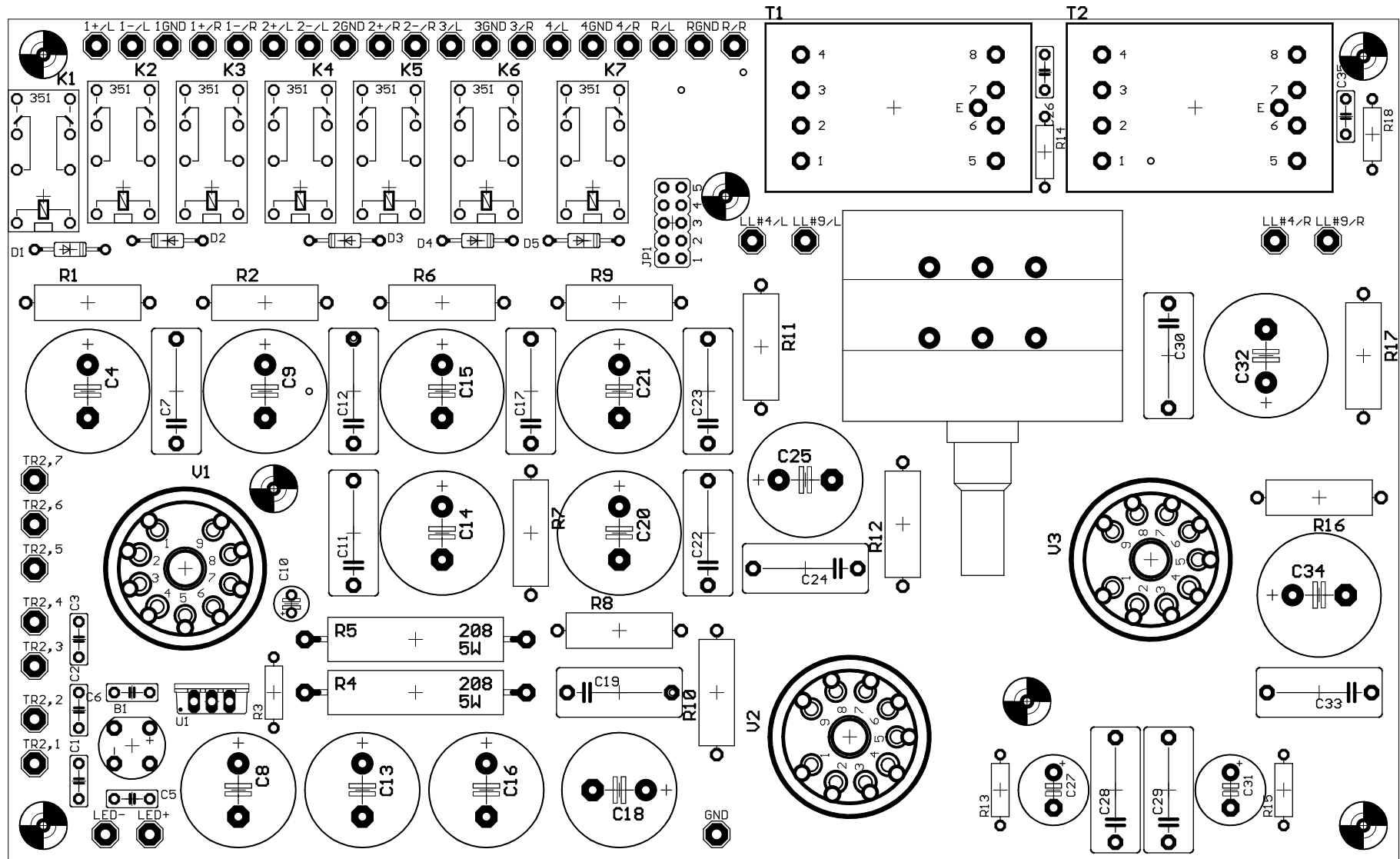
Voltage Amplification Stages (c) 2000, 2001 Norbert Bayer	
TITLE: preamp	
Document Number:	REV:
Date: 28.01.2002 12:03:02	Sheet: 1/3



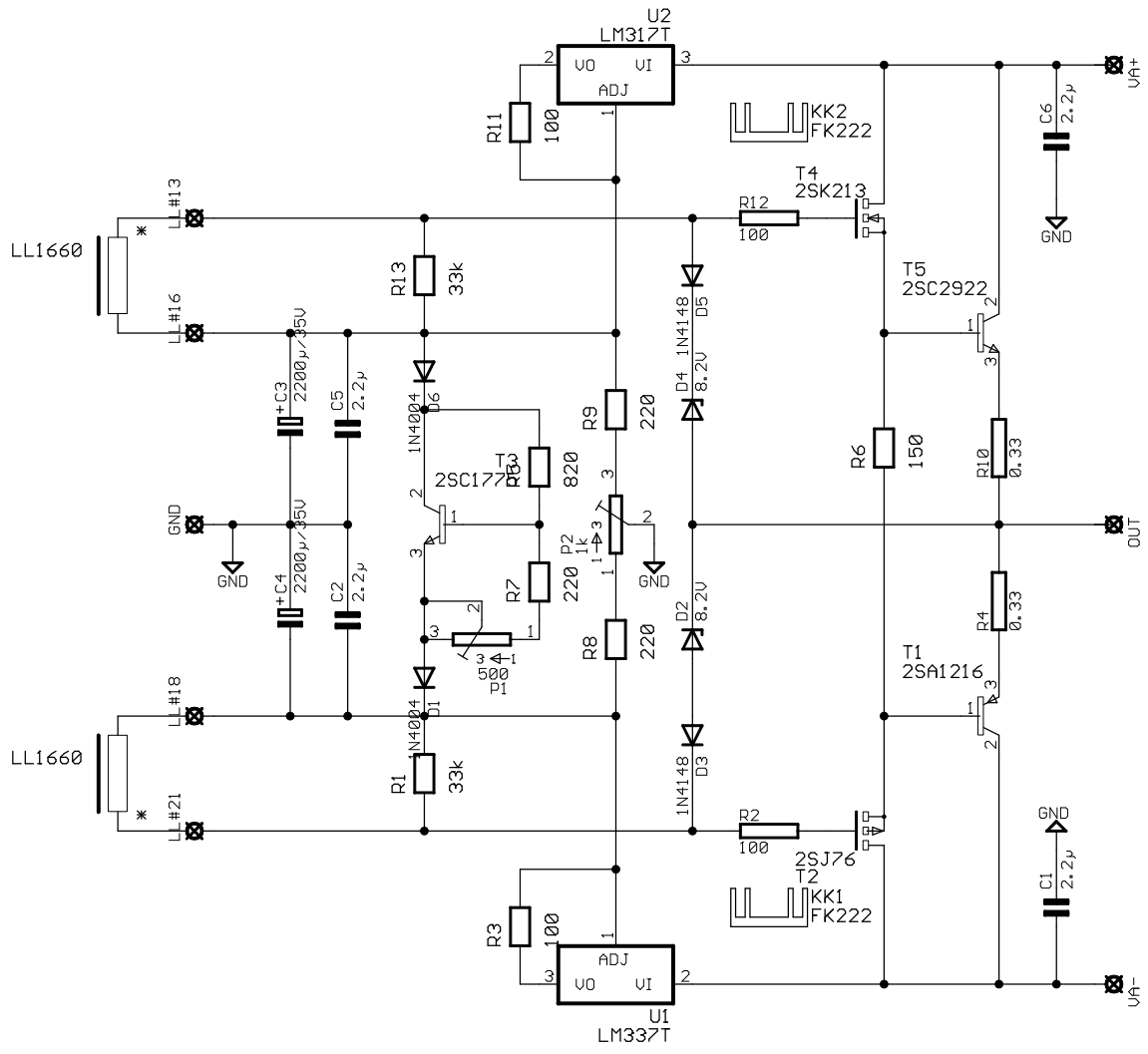
Input Section	
(c) 2000, 2001 Norbert Bayer	
TITLE: preamp	
Document Number:	REV:
Date: 28.01.2002 12:03:02	Sheet: 2/3



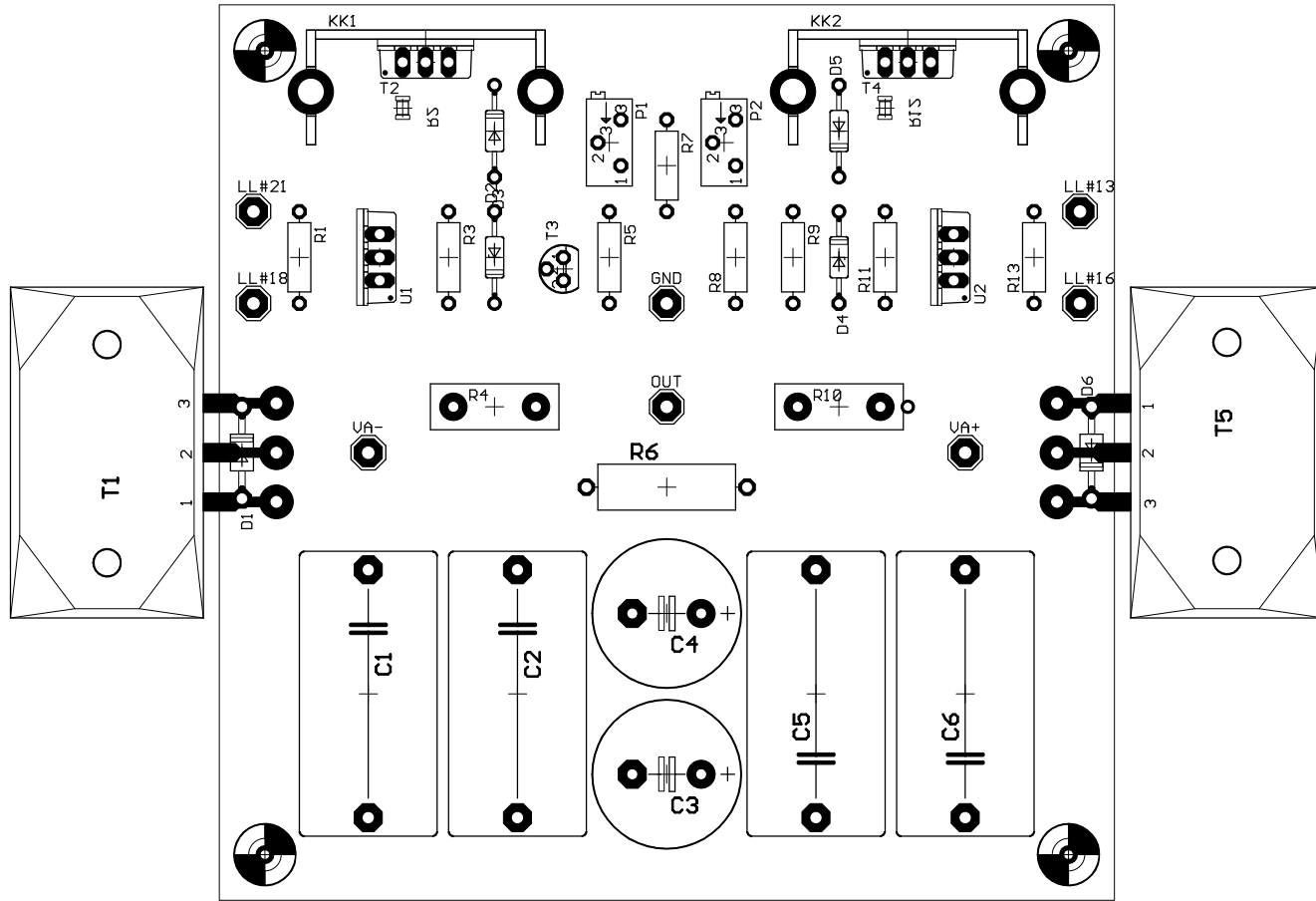
Power Supply for Voltage Amplifier (c) 2000, 2001 Norbert Bayer	
TITLE: preamp	
Document Number:	REV:
Date: 28.01.2002 12:03:02	Sheet: 3/3



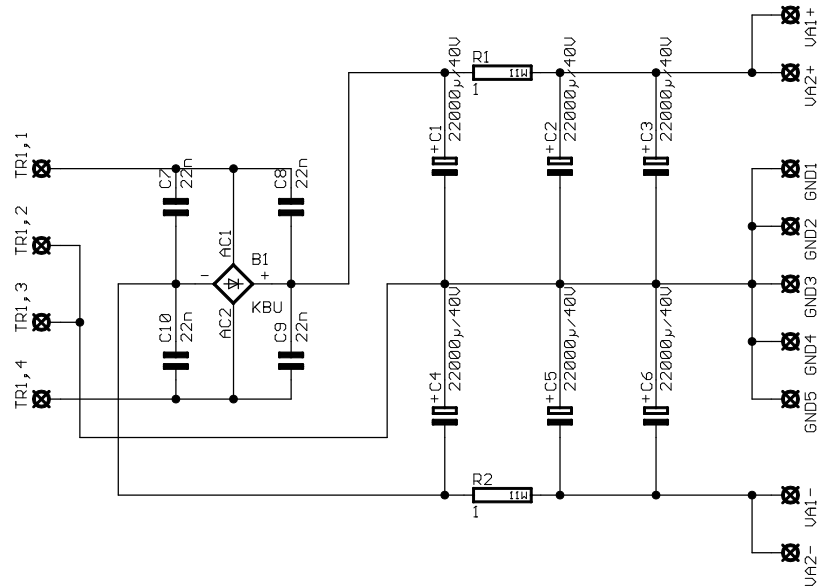
Quantity	Designator	Description	Value
1	B1	Rectifier Bridge	RB1A
5	C1, C2, C3, C5, C6	WIMA MKS-2 63V Capacitor	22n
1	C10	Tantalum Capacitor	10 μ /35V
2	C13, C16	Electrolytic Capacitor	4700 μ /16V
2	C18, C25	Electrolytic Capacitor	22 μ /450V
2	C26, C35	WIMA MKP-2 630V Capacitor	1n
2	C27, C31	Electrolytic Capacitor	220 μ /35V
2	C28, C29	WIMA MKP-10 250V Capacitor	0.22 μ /250V
2	C32, C34	Electrolytic Capacitor	100 μ /350V
6	C4, C9, C14, C15, C20, C21	Electrolytic Capacitor	47 μ /450V
10	C7, C11, C12, C17, C19, C22, C23, C24, C30, C33	WIMA MKP-10 400V Capacitor	0.1 μ /400V
1	C8	Electrolytic Capacitor	2200 μ /35V
5	D1, D2, D3, D4, D5	Diode	1N4148
1	JP1	.100" dual Row square Header	JP5Q
7	K1, K2, K3, K4, K5, K6, K7	Relay 12V	351
1	n/a	Printed Circuit Board Hybrid1-Preamp	
2	n/a	Lundahl Interstage Transformer	LL1660/10mA
1	P1	ALPS Potentiometer RK40312	100k-log
5	R1, R2, R6, R7, R9	1W Carbon Film Resistor	680
2	R10, R12	1W Carbon Film Resistor	100k
2	R13, R15	0.25W Metall Film Resistor	2.2k
2	R14, R18	0.25W Metall Film Resistor	22k
2	R16, R17	1W Carbon Film Resistor	22k
1	R3	0.25W Metall Film Resistor	470
1	R4	5W Resistor	6.8
1	R5	5W Resistor	5.6
2	R8, R11	1W Carbon Film Resistor	12k
2	T1, T2	Lundahl Line Input Transformer	LL1579
1	U1	Fixed Voltage Regulator	LM7812
1	V1	Rectifier Valve + PCB Socket	EZ80
2	V2, V3	Twin Triode + PCB Socket	ECC82



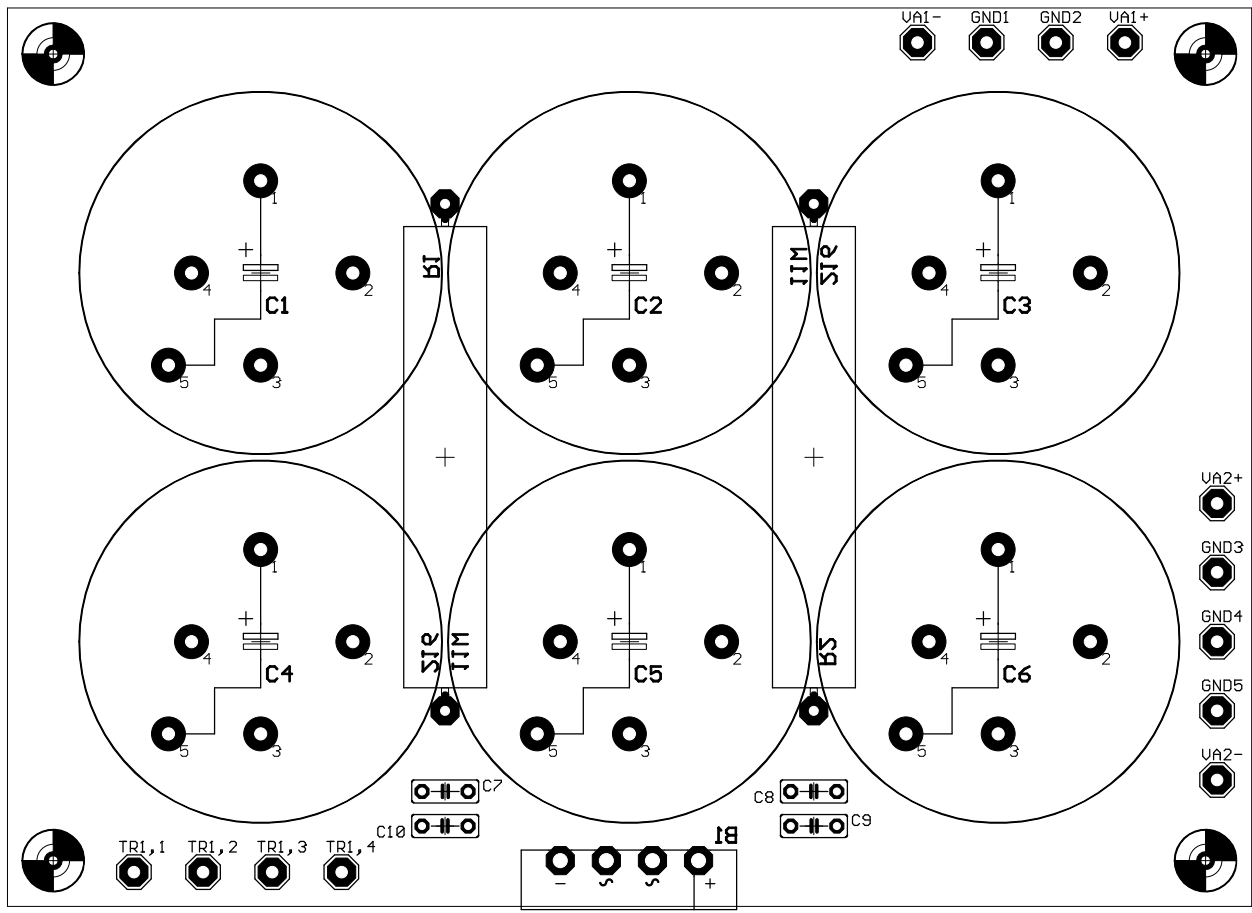
Current Amplification Stages/Bias Control (c) 2000, 2001 Norbert Bayer	
TITLE: power	
Document Number:	REV:
Date: 27.01.2002 22:18:36	Sheet: 1/1



Quantity	Designator	Description	Value
8	C1, C2, C5, C6	WIMA MKP-10 250V Capacitor	2.2μ
4	C3, C4	Electrolytic Capacitor	2200μ/35V
4	D1, D6	Diode	1N4004
4	D2, D4	Z-Diode 0.5W	8.2V
4	D3, D5	Diode	1N4148
4	KK1, KK2	Heatsink TO-220	FK222
2	n/a	Printed Circuit Board Hybrid1-Power	
2	P1	Potentiometer	500
2	P2	Potentiometer	1k
4	R1, R13	0.25W Metall Film Resistor	33k
4	R2, R12	0.25W Chip Resistor	100
4	R3, R11	0.25W Metall Film Resistor	100
4	R4, R10	5W non-inductive Resistor MPC71	0.33
2	R5	0.25W Metall Film Resistor	820
2	R6	1W Carbon Film Resistor	150
6	R7, R8, R9	0.25W Metall Film Resistor	220
2	T1	Sanken PNP Power Transistor	2SA1216
2	T2	Hitachi PMOS Field Effect Transistor	2SJ76
2	T3	Hitachi NPN Transistor	2SC1775
2	T4	Hitachi NMOS Field Effect Transistor	2SK213
2	T5	Sanken NPN Power Transistor	2SC2922
2	U1	Adjustable Voltage Regulator	LM337T
2	U2	Adjustable Voltage Regulator	LM317T



Power Supply for Current Amplifier (c) 2000, 2001 Norbert Bayer	
TITLE: supply	
Document Number:	REV:
Date: 04.06.2001 12:49:12	Sheet: 1/1



Quantity	Designator	Description	Value
1	B1	Diotec Rectifier Bridge	KBU
6	C1, C2, C3, C4, C5, C6	Electrolytic Capacitor	22000 μ /40V
4	C7, C8, C9, C10	WIMA MKS-2 63V Capacitor	22n
1	n/a	Printed Circuit Board Hybrid1-Supply	
2	R1, R2	11W Resistor	1