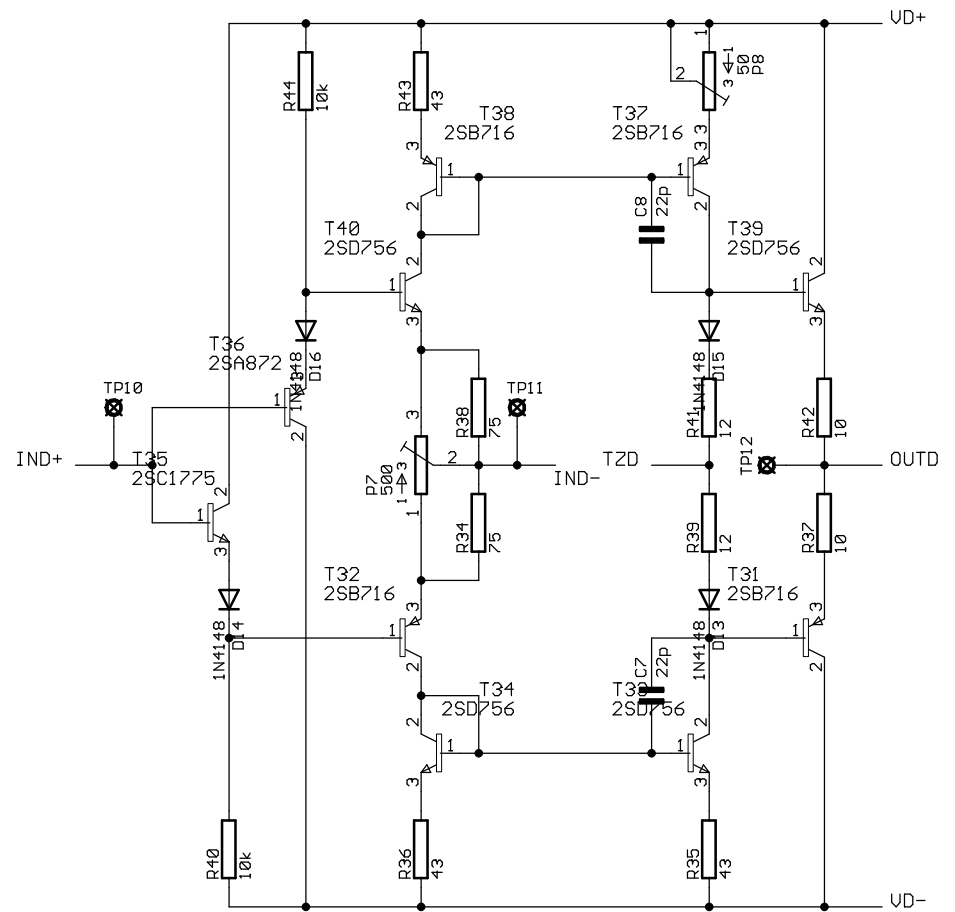
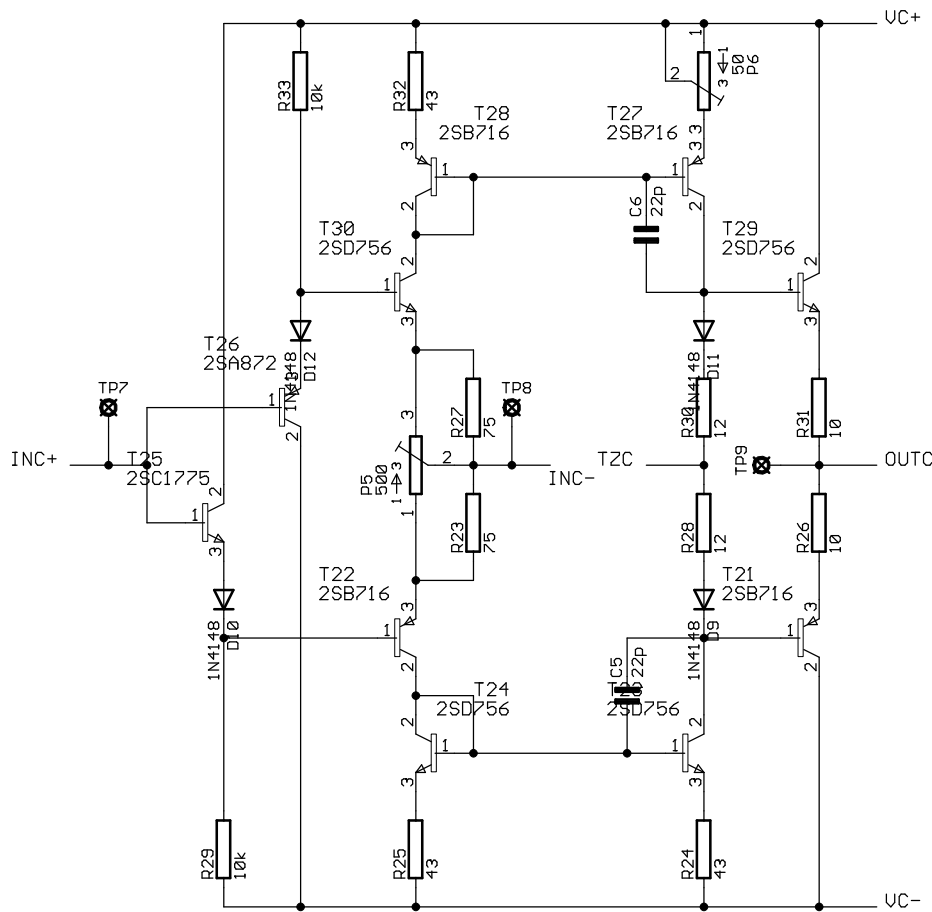


ST					
OUTD	C1	NC	UD+	A1	UD+
TZD	C2	OUTD	IND+	A2	IND+
	C3	TZD	IND-	A3	IND-
	C4	NC	VD-	A4	VD-
	C5	NC	VC+	A5	VC+
OUTC	C6	OUTC	INC+	A6	INC+
TZC	C7	TZC	INC-	A7	INC-
	C8	NC	VC-	A8	VC-
	C9	NC	VB+	A9	VB+
OUTB	C10	OUTB	INB+	A10	INB+
TZB	C11	TZB	INB-	A11	INB-
	C12	NC	VB-	A12	VB-
	C13	NC	VA+	A13	VA+
OUTA	C14	OUTA	INA+	A14	INA+
TZA	C15	TZA	INA-	A15	INA-
	C16	NC	VA-	A16	VA-

DAC5_IV

CFB Operational Amplifier Module (c) 2002 Norbert Bayer	
TITLE: DOP04	
Document Number:	REV: A
Date: 02.03.2003 17:41:54	Sheet: 1/2



CFB Operational Amplifier Module
 (c) 2002 Norbert Bayer

TITLE: DOP04

Document Number:	REV: A
------------------	-----------

Date: 02.03.2003 17:41:54	Sheet: 2/2
---------------------------	------------