

Left Channel I/V Converter & Filter
 (c) 2002 Norbert Bayer

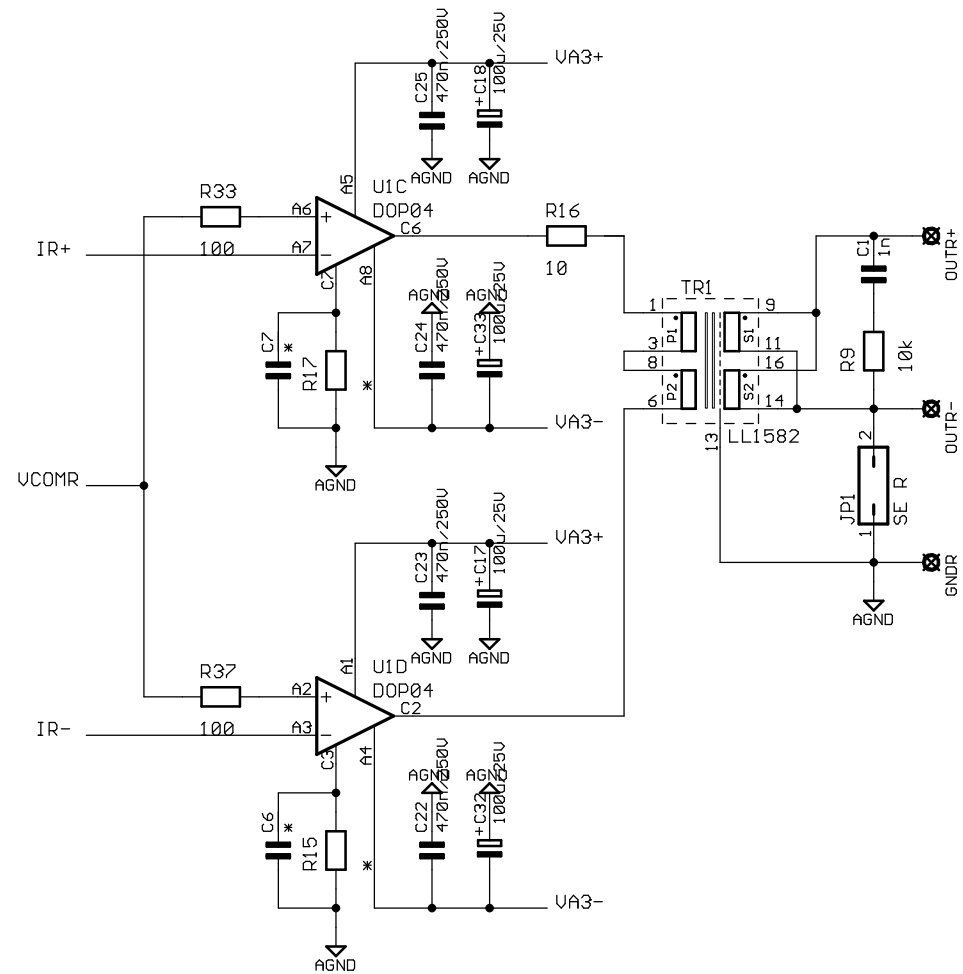
TITLE: Main V3B

Document Number:

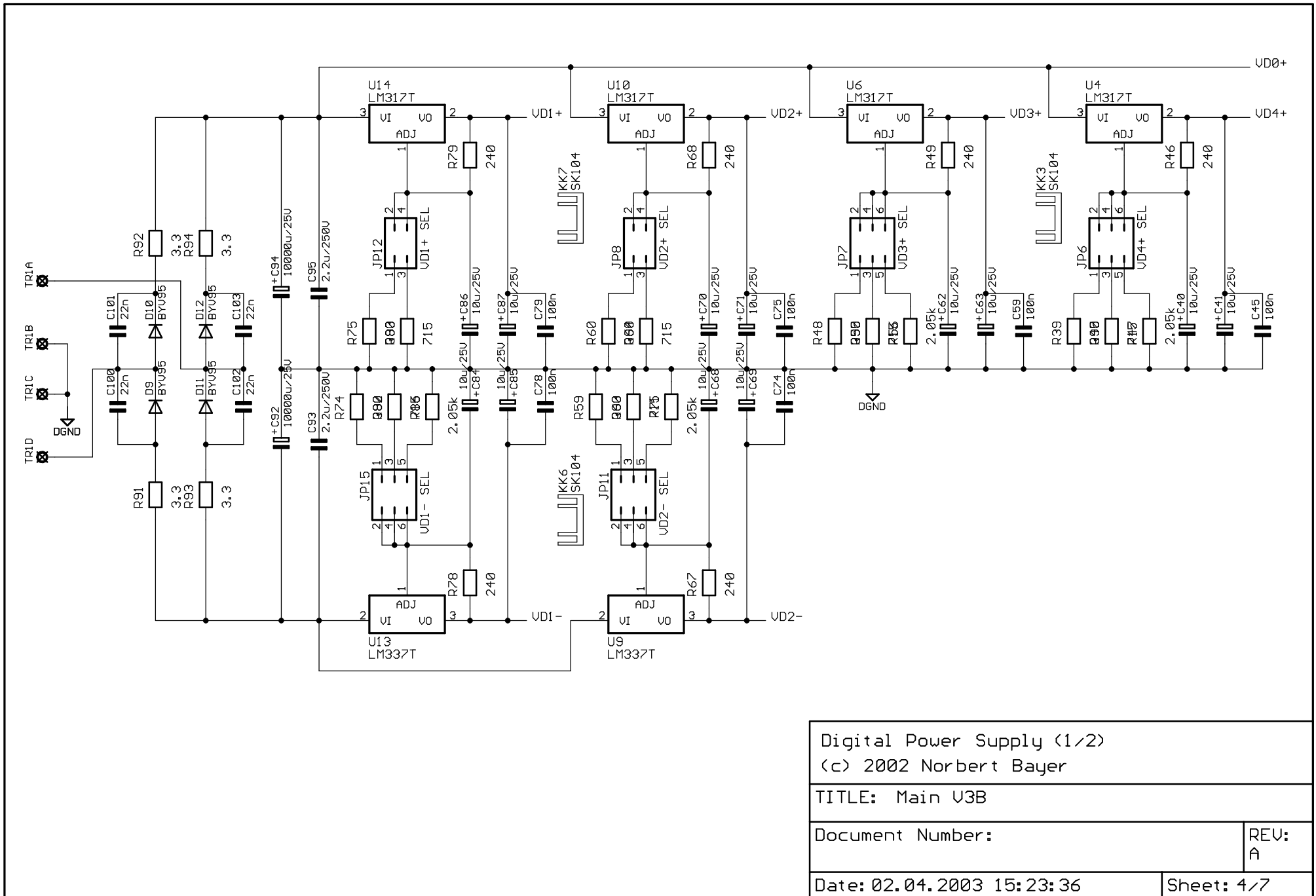
REV:
A

Date: 02.04.2003 15:23:36

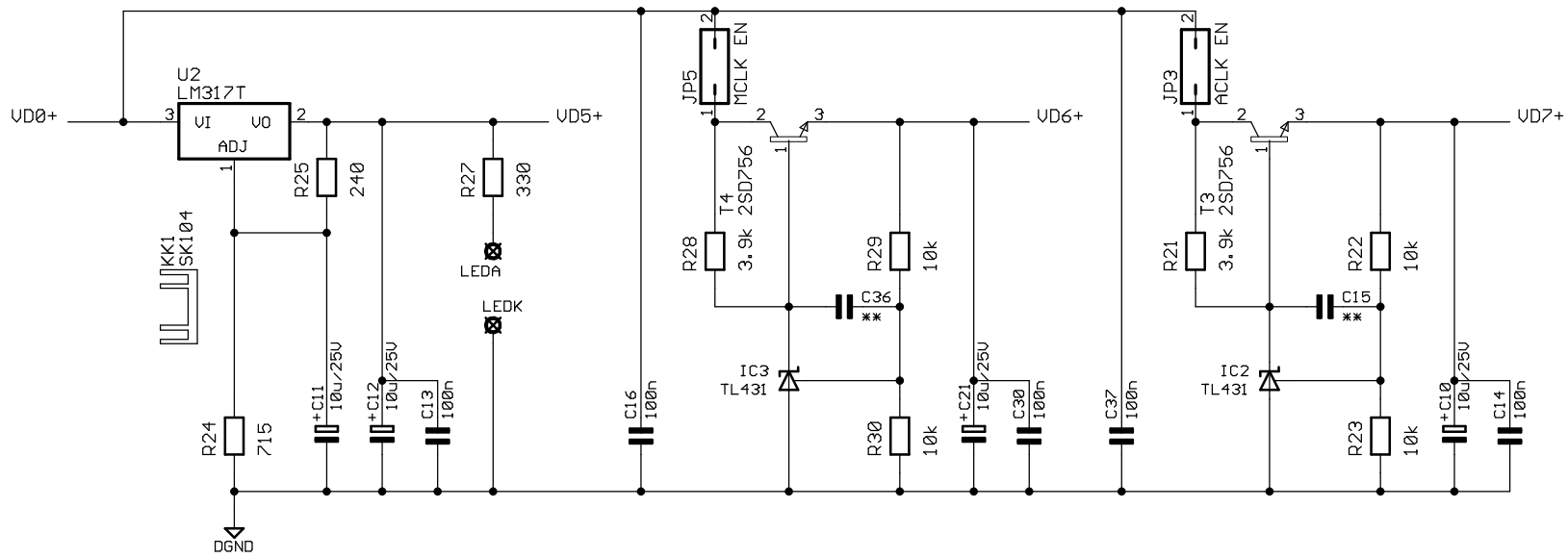
Sheet: 2/7



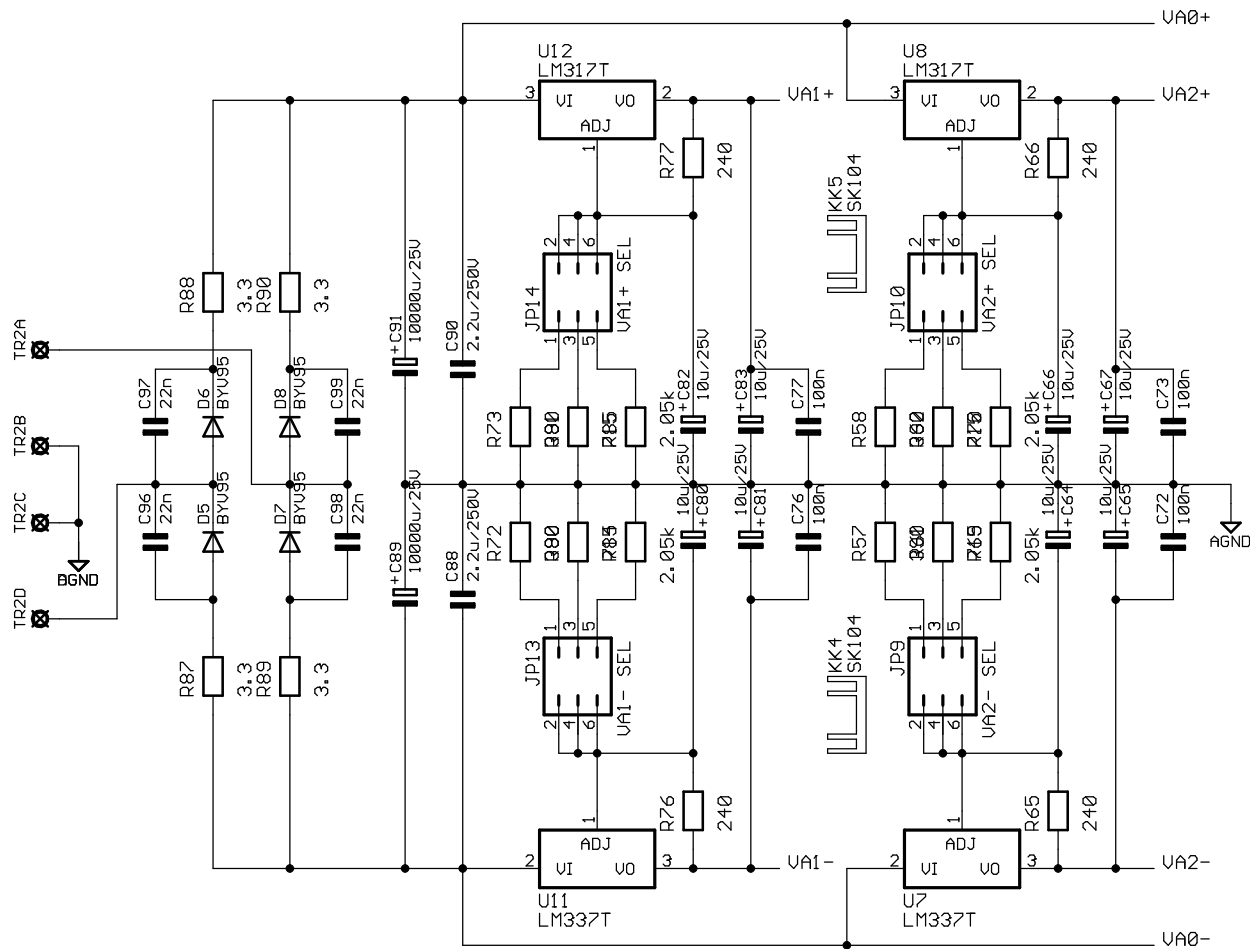
Left Channel I/V Converter & Filter (c) 2002 Norbert Bayer	
TITLE: Main V3B	
Document Number:	REV: A
Date: 02.04.2003 15:23:36	Sheet: 3/7



Digital Power Supply (1/2)	
(c) 2002 Norbert Bayer	
TITLE: Main V3B	
Document Number:	REV: A
Date: 02.04.2003 15:23:36	Sheet: 4/7



Digital Power Supply (2/2)	
(c) 2002 Norbert Bayer	
TITLE: Main V3B	
Document Number:	REV: A
Date: 02.04.2003 15:23:36	Sheet: 5/7



Analog Power Supply (1/2)

(c) 2002 Norbert Bayer

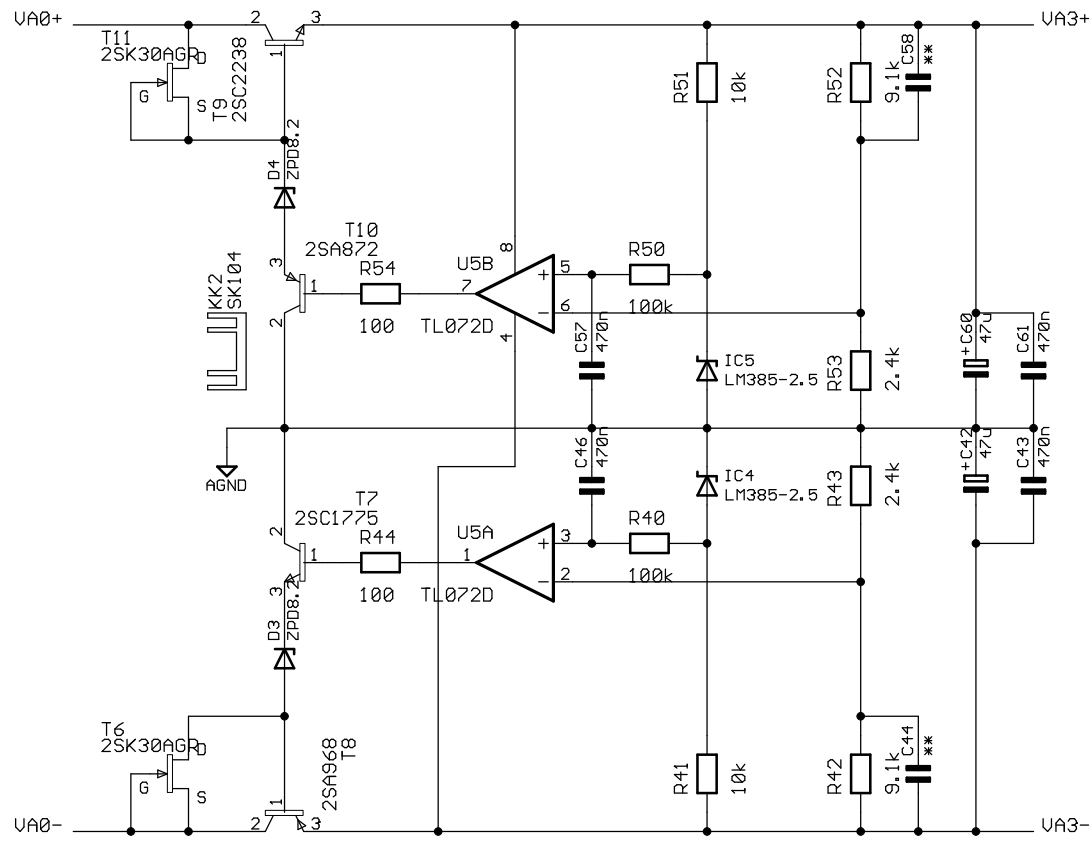
TITLE: Main V3B

Document Number:

REV:
A

Date: 02.04.2003 15:23:36

Sheet: 6/7



Analog Power Supply (2/2)	
(c) 2002 Norbert Bayer	
TITLE: Main V3B	
Document Number:	REV: A
Date: 02.04.2003 15:23:36	Sheet: 7/7