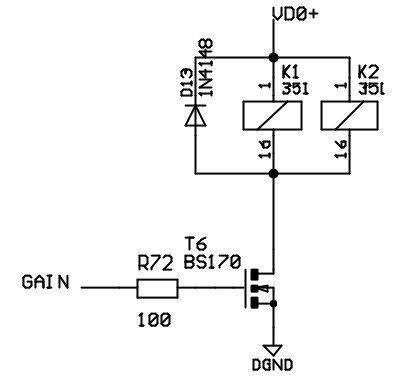
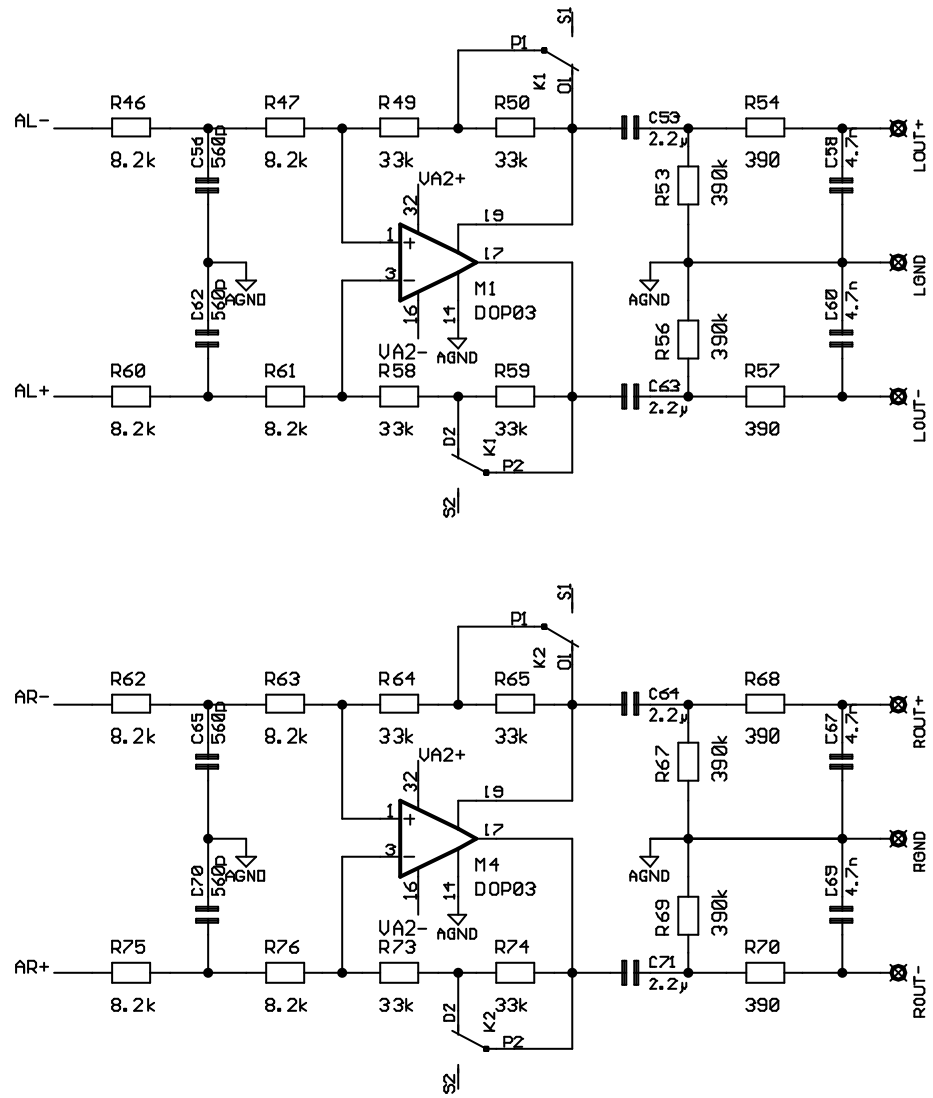
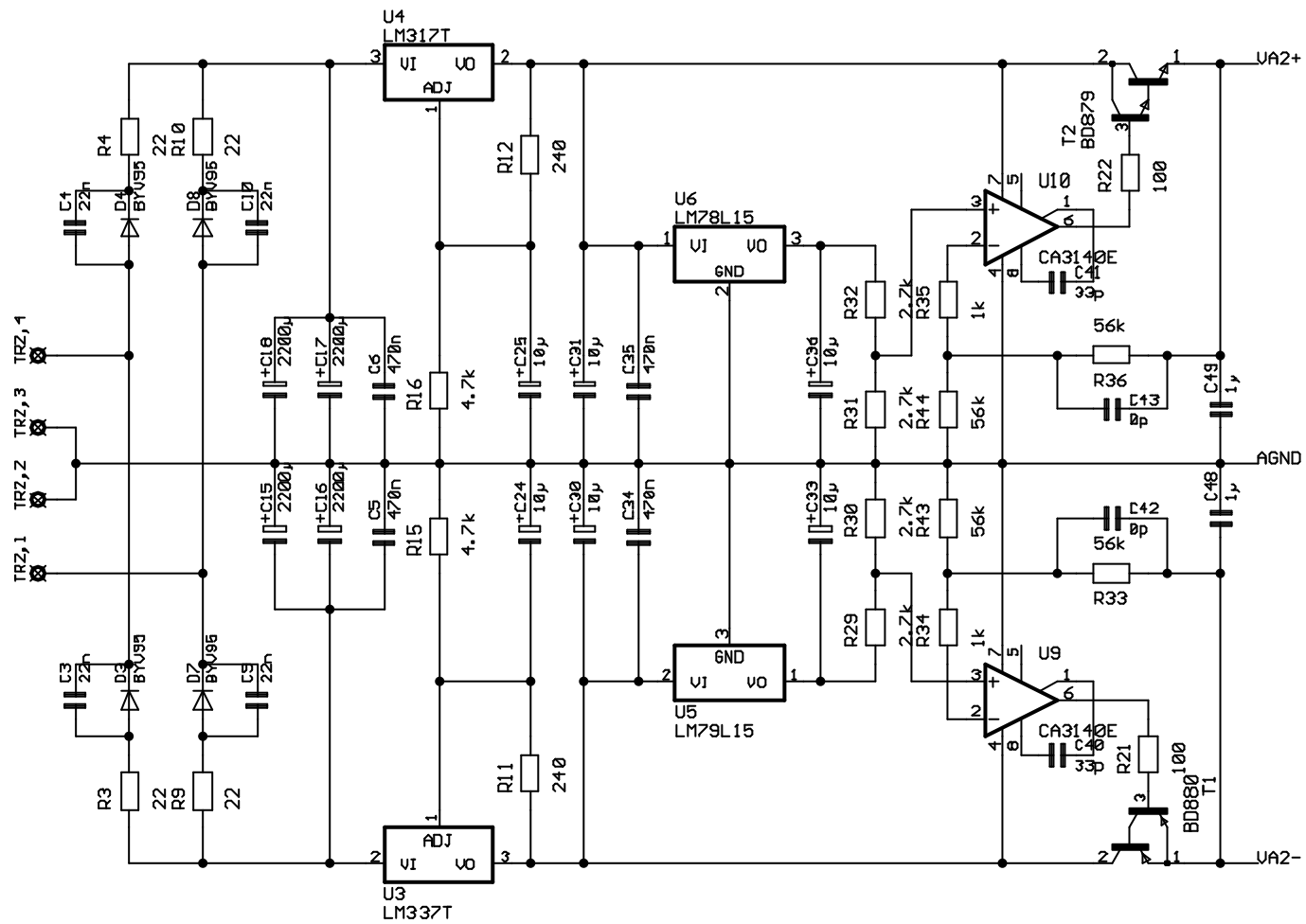


Clock Generation, DIR & DAC
 (c) 1999 Norbert Bayer
 TITLE: Main
 Document Number: _____ REV: B
 Date: 06.05.2000 19:41:50 Sheet: 1/5



Filter & Output Stage	
(c) 1999 Norbert Bayer	
TITLE: Main	
Document Number:	REV: B
Date: 06.05.2000 19:41:50	Sheet: 2/5

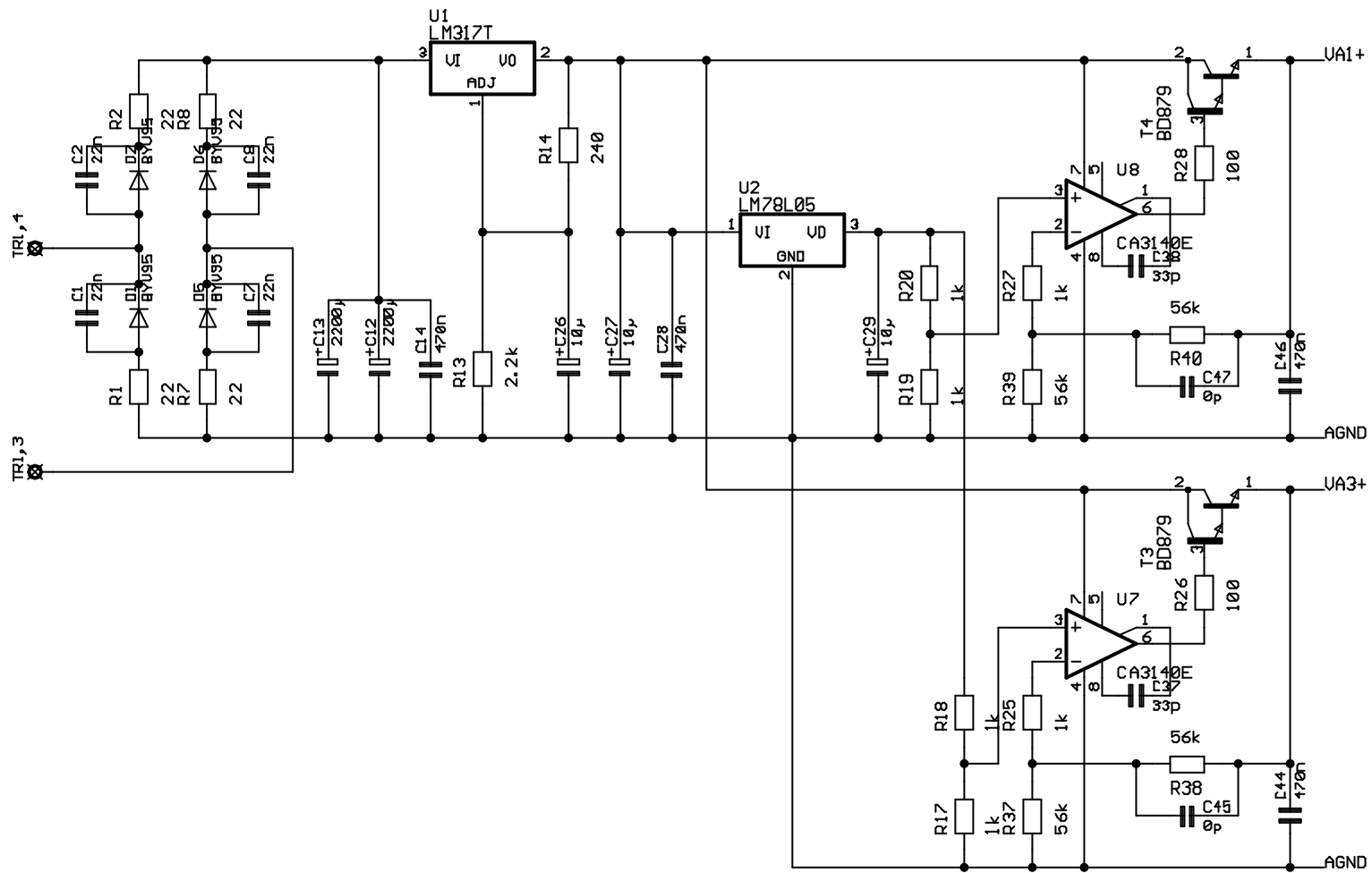


Analog Power Supply #1
 (c) 1999 Norbert Bayer

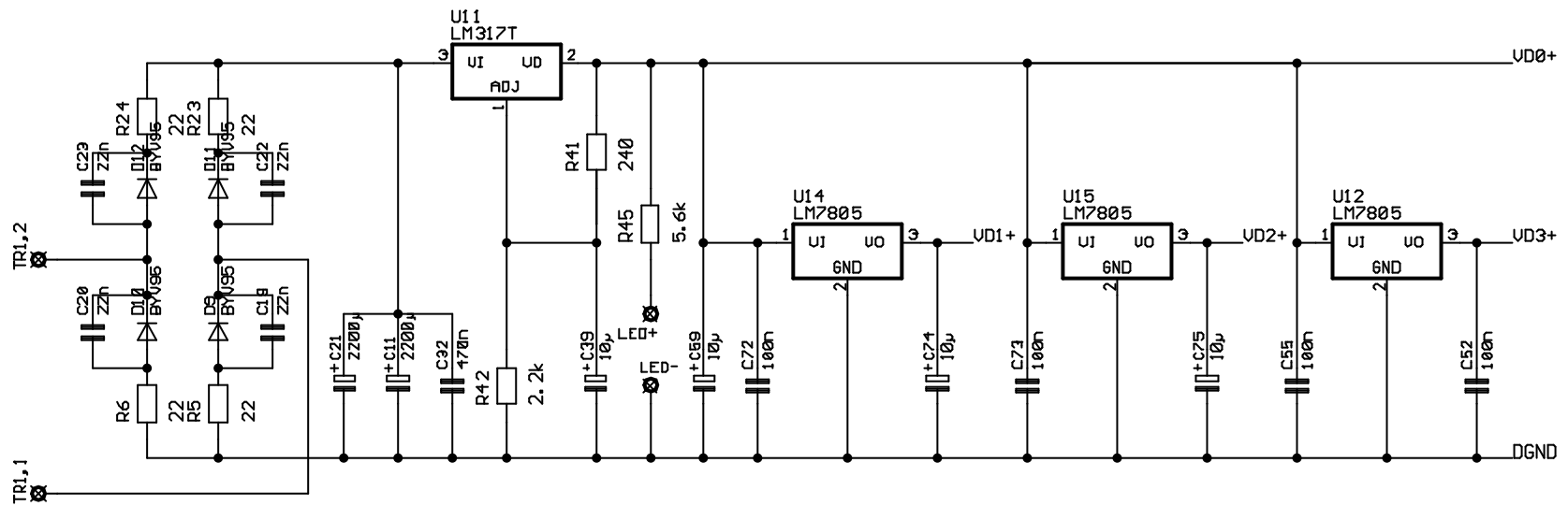
TITLE: Main

Document Number:	REV: B
------------------	-----------

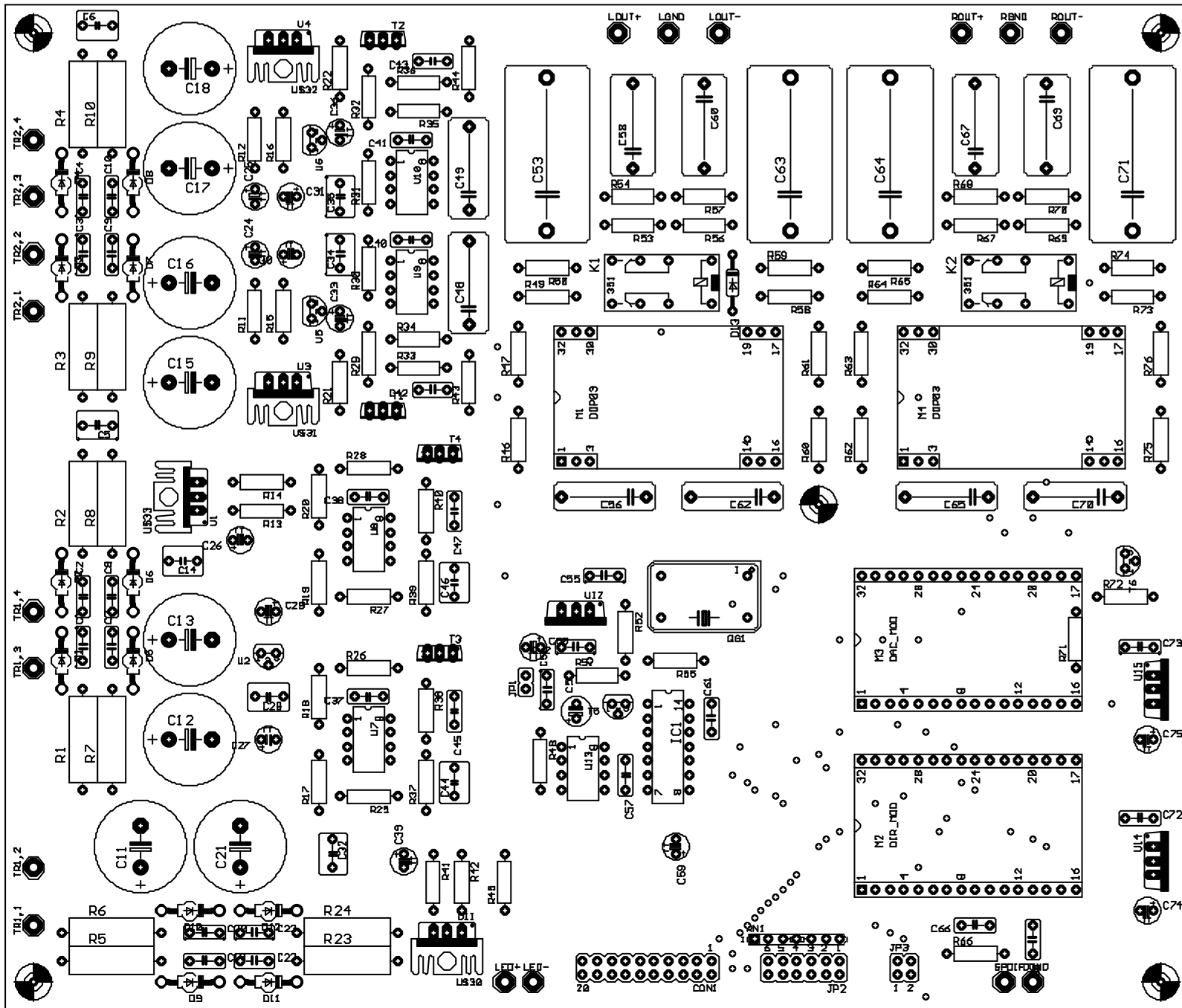
Date: 06.05.2000 19:41:50	Sheet: 3/5
---------------------------	------------



Analog Power Supply #2	
(c) 1999 Norbert Bayer	
TITLE: Main	
Document Number:	REV: B
Date: 06.05.2000 19:41:50	Sheet: 4/5



Digital Power Supply (c) 1999 Norbert Bayer	
TITLE: Main	
Document Number:	REV: B
Date: 06.05.2000 19:41:50	Sheet: 5/5



Quantity	Designator	Description	Value
12	C1, C2, C3, C4, C7, C8, C9, C10, C19, C20, C22, C23	WIMA MKS-2 63V Capacitor	22n
8	C11, C12, C13, C15, C16, C17, C18, C21	Electrolytic Capacitor	2200µ/35V
14	C24, C25, C26, C27, C29, C30, C31, C33, C36, C39, C50, C59, C74, C75	Tantalum Capacitor	10µ/35V
4	C37, C38, C40, C41	Ceramic Capacitor 500V	33p
4	C42, C43, C45, C47	Ceramic Capacitor 500V	0p
2	C48, C49	WIMA MKS-4 100V Capacitor	1µ
9	C5, C6, C14, C28, C32, C34, C35, C44, C46	WIMA MKS-2 63V Capacitor	470n
6	C51, C52, C55, C61, C72, C73	WIMA MKS-2 63V Capacitor	100n
4	C53, C63, C64, C71	WIMA MKP-10 160V Capacitor	2.2µ
1	C54	Electrolytic Capacitor	100µ/16V
4	C56, C62, C65, C70	Styroflex Capacitor	560p
3	C57, C66, C68	WIMA MKS-2 63V Capacitor	10n
4	C58, C60, C67, C69	Styroflex Capacitor	4.7n
1	CON1	.100" dual Row square Header	
12	D1, D2, D3, D4, D5, D6, D7, D8, D9, D10, D11, D12	Diode	BYV95
1	D13	Diode	1N4148
1	IC1	FAST integrated Circuit	74F74
1	JP1	.100" dual Row square Header	
1	JP2	.100" dual Row square Header	
1	JP3	.100" dual Row square Header	
2	K1, K2	Relay 12V	351
8	M1, M2, M3, M4	.100" single Row square Connector	
1	QG1	Integrated Crystal Oscillator FOX JITO2 AC5BE	24.576MHz
12	R1, R2, R3, R4, R5, R6, R7, R8, R9, R10, R23, R24	1W Carbon Film Resistor	22
4	R11, R12, R14, R41	0.25W Metall Film Resistor	240
2	R13, R42	0.25W Metall Film Resistor	2.2k
2	R15, R16	0.25W Metall Film Resistor	4.7k
8	R17, R18, R19, R20, R25, R27, R34, R35	0.25W Metall Film Resistor	1k
5	R21, R22, R26, R28, R72	0.25W Metall Film Resistor	100
4	R29, R30, R31, R32	0.25W Metall Film Resistor	2.7k
8	R33, R36, R37, R38, R39, R40, R43, R44	0.25W Metall Film Resistor	56k
1	R45	0.25W Metall Film Resistor	5.6k
8	R46, R47, R60, R61, R62, R63, R75, R76	0.25W Metall Film Resistor	8.2k
10	R48, R49, R50, R51, R58, R59, R64, R65, R73, R74	0.25W Metall Film Resistor	33k
1	R52	0.25W Metall Film Resistor	10k
4	R53, R56, R67, R69	0.25W Metall Film Resistor	390k

Quantity	Designator	Description	Value
4	R54, R57, R68, R70	0.25W Metall Film Resistor	390
1	R55	0.25W Metall Film Resistor	3.3k
1	R66	0.25W Metall Film Resistor	75
1	R71	Ferrite Bead	
1	RN1	Resistor Array	10k
1	T1	PNP Darlington Transistor	BD880
3	T2, T3, T4	NPN Darlington Transistor	BD879
2	T5, T6	NMOS Field Effect Transistor	BS170
4	U\$30, U\$31, U\$32, U\$33	Heatsink SK95	
3	U1, U4, U11	Adjustable Voltage Regulator	LM317T
3	U12, U14, U15	Fixed Voltage Regulator	LM7805
1	U13	Integrated Circuit	555N
1	U2	Fixed Voltage Regulator	LM78L05
1	U3	Adjustable Voltage Regulator	LM337T
1	U5	Fixed Voltage Regulator	LM79L15
1	U6	Fixed Voltage Regulator	LM78L15
4	U7, U8, U9, U10	Integrated MOS Op-Amp	CA3140E
1	n/a	Power Transformer	2x15V/1A
1	n/a	Power Transformer	2x24V/1A
1	n/a	Printed Circuit Board DAC4-Main	