

CS8420 DIR/SRC Module
 (c) 1999 Norbert Bayer

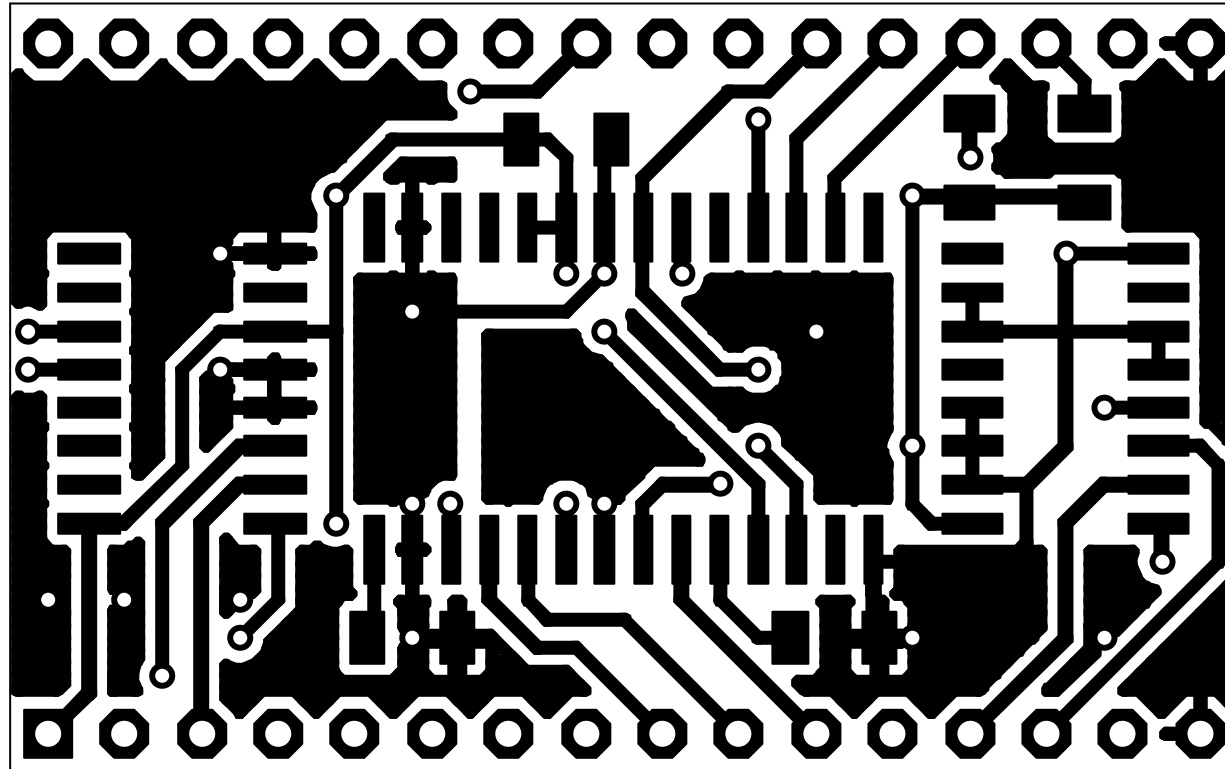
TITLE: CS8420_1

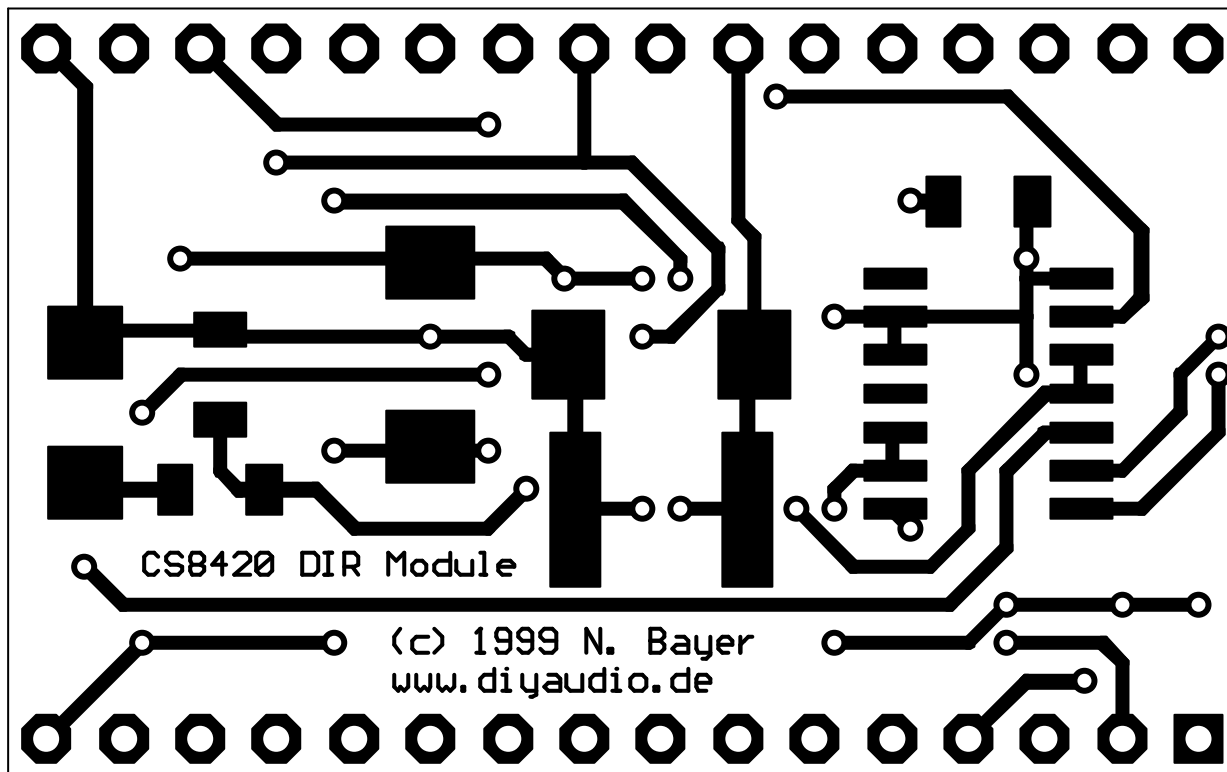
Document Number:

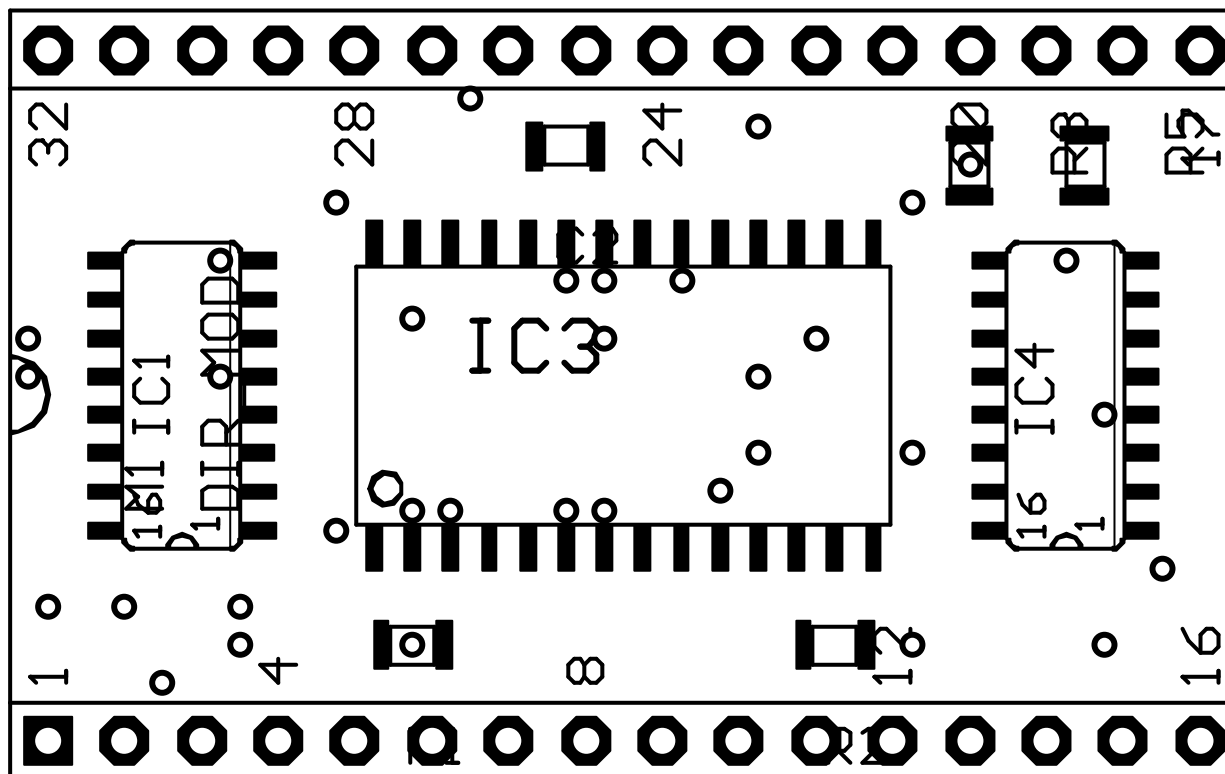
REV:

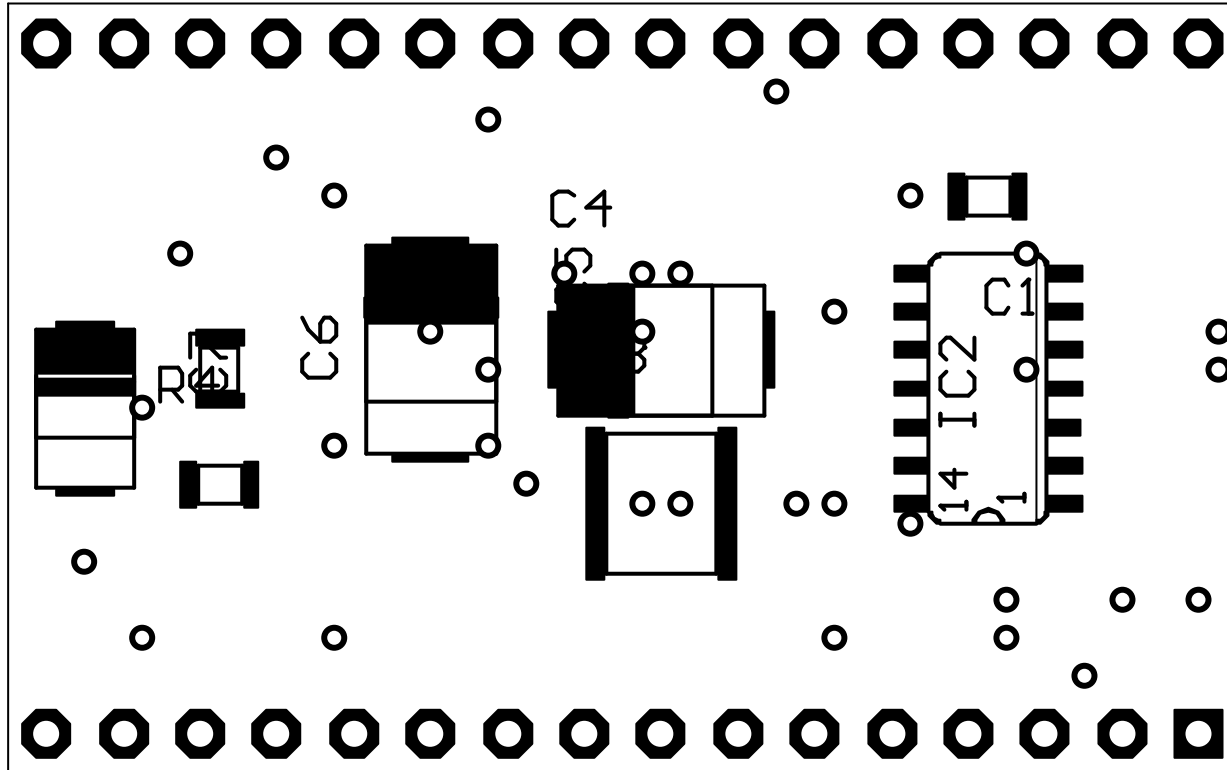
Date: 06.05.2000 20:48:10

Sheet: 1/1









Quantity	Designator	Description	Value
2	C1, C2	X7R Ceramic Chip Capacitor	100n
1	C3	SMD Polyester Capacitor	100n
2	C4, C5	SMD Tantalum Capacitor	10μ/35V
1	C6	X7R Ceramic Chip Capacitor	22n
1	C7	SMD Tantalum Capacitor	1.5μ/35V
1	IC1	SMD High Speed CMOS integrated Circuit	74HC138
1	IC2	SMD High Speed CMOS integrated Circuit	74HC00
1	IC3	Crystal Digital Input Receiver / Sample Rate Converter	CS8420
1	IC4	SMD High Speed CMOS integrated Circuit	74HC157
1	M1	.100" single Row square Header	
1	n/a	Printed Circuit Board CS8420	
4	R1, R2, R3, R5	0.25W Chip Resistor	47k
1	R4	0.25W Chip Resistor	1.2k