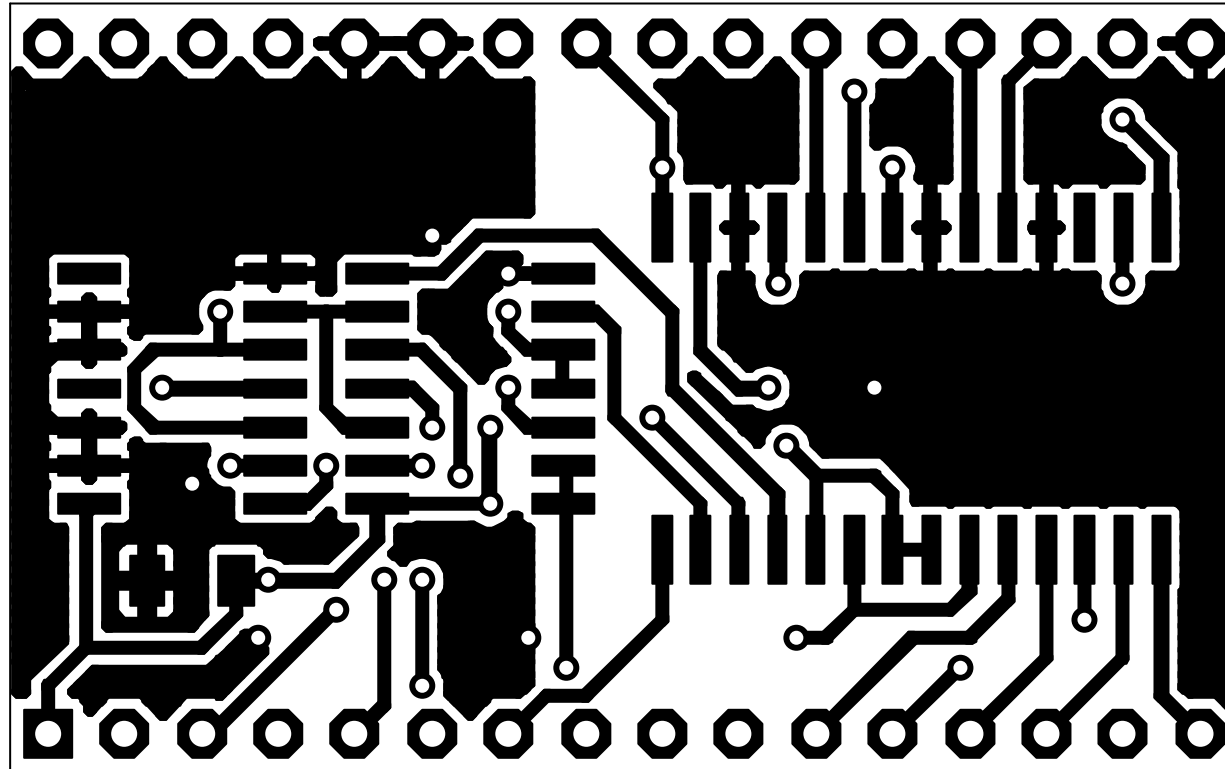
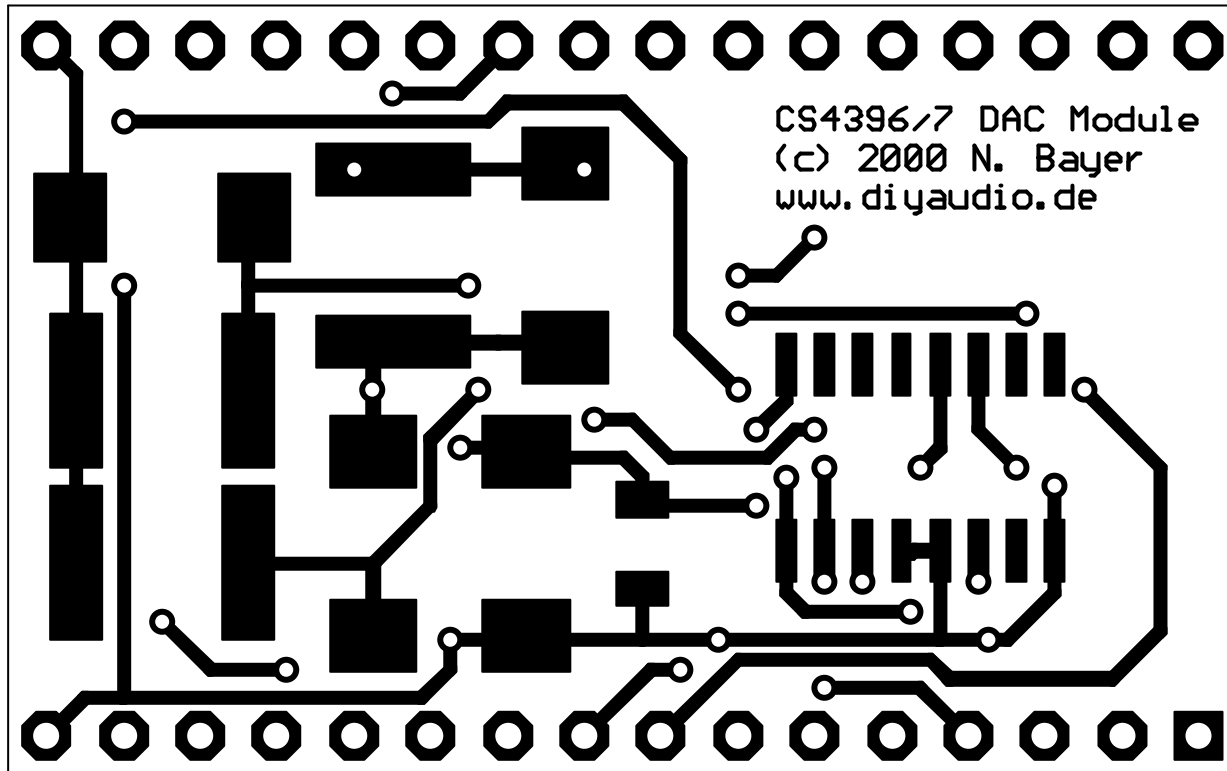
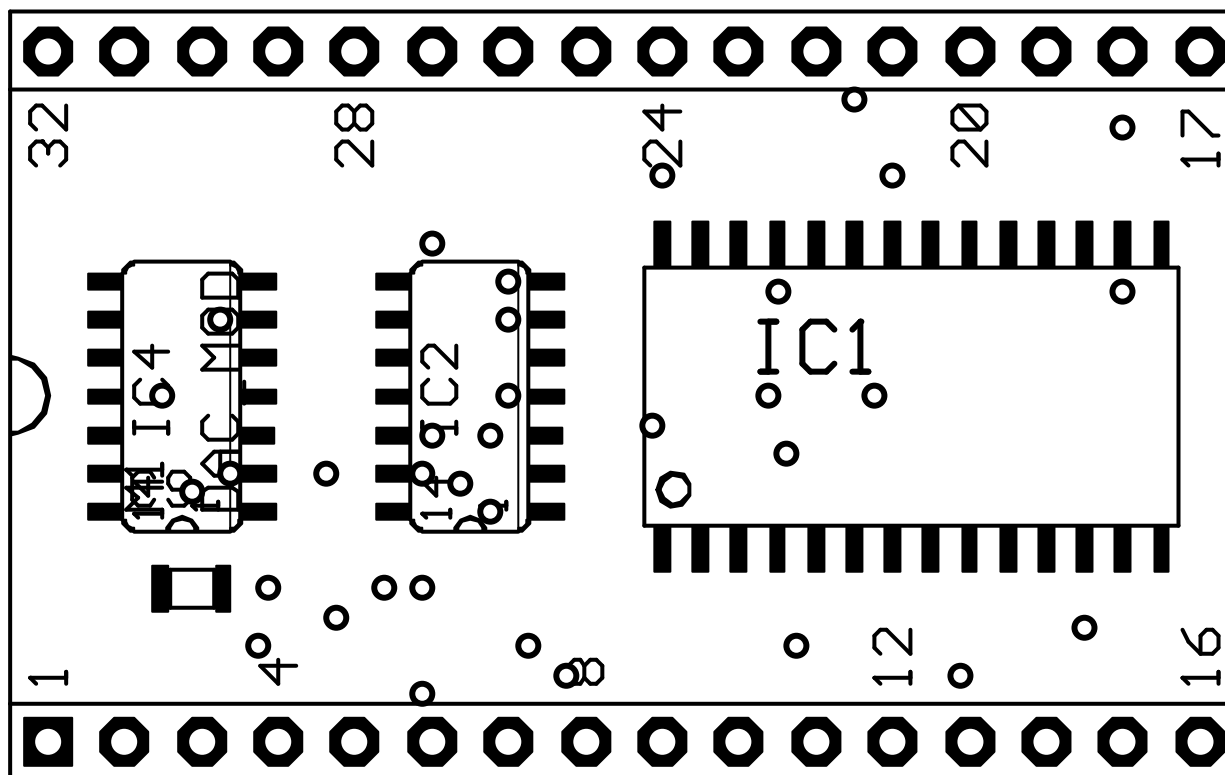
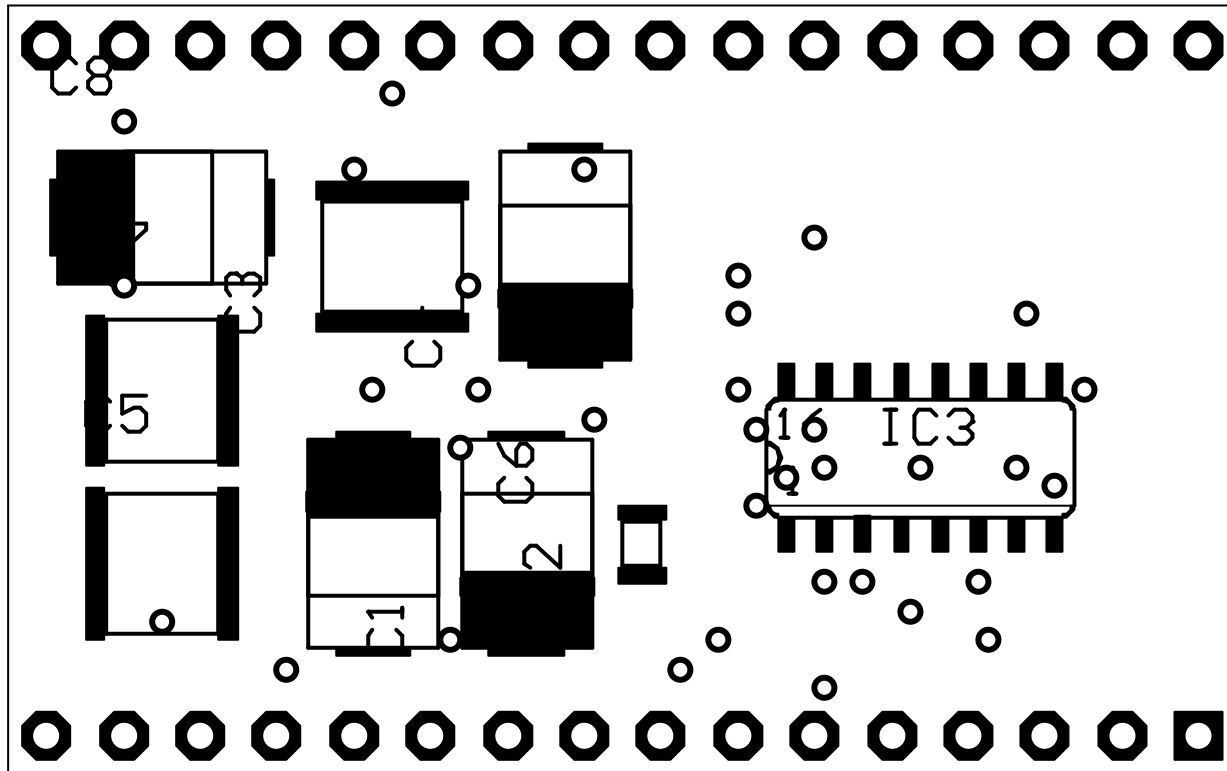


CS4396/7 DAC Module	
(c) 2000 Norbert Bayer	
TITLE: CS4396	
Document Number:	REV:
Date: 12.04.2000 20:51:02	Sheet: 1/1









Quantity	Designator	Description	Value
4	C1, C4, C6, C8	SMD Tantalum Capacitor	10 $\mu$ /35V
2	C2, C9	X7R Ceramic Chip Capacitor	100n
3	C3, C5, C7	SMD Polyester Capacitor	100n
1	IC1	Crystal Sigma-Delta DAC	CS4396
1	IC2	SMD High Speed CMOS integrated Circuit	74HC00
1	IC3	SMD High Speed CMOS integrated Circuit	74HC138
1	IC4	SMD High Speed CMOS integrated Circuit	74HC08
1	M1	.100" single Row square Header	
1	n/a	Printed Circuit Board CS4396/97	