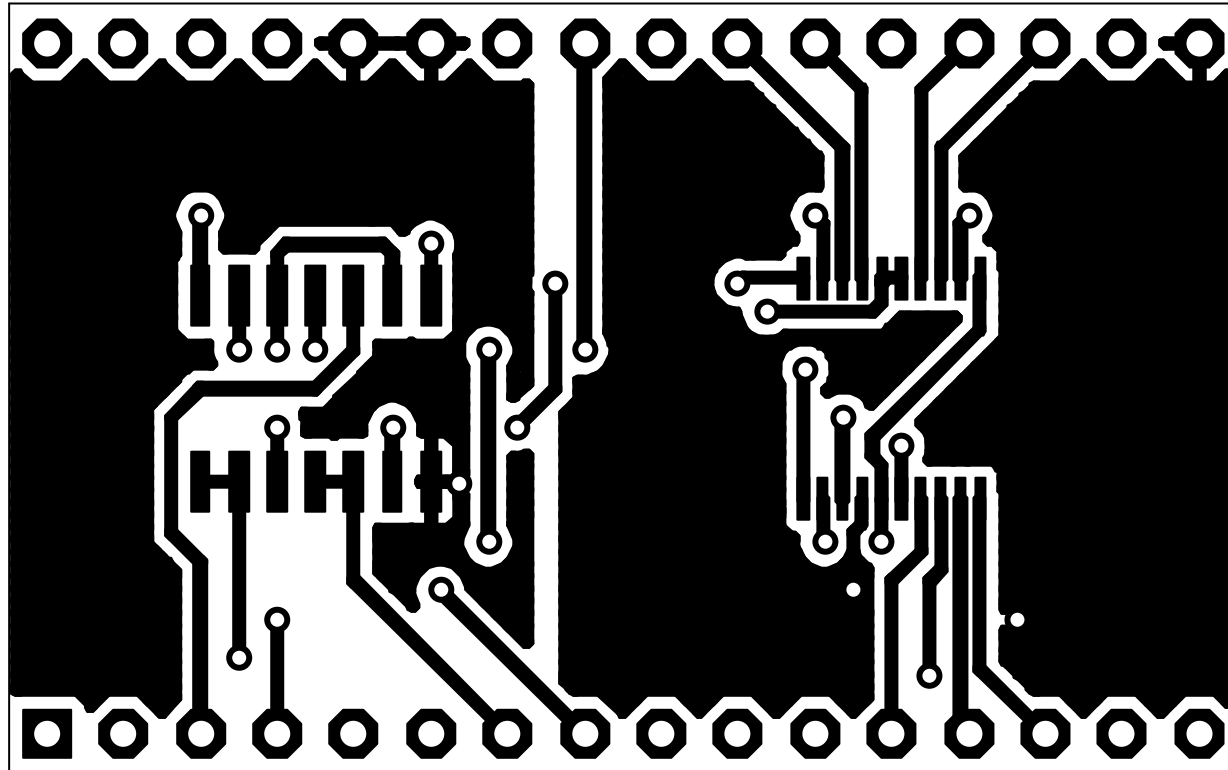
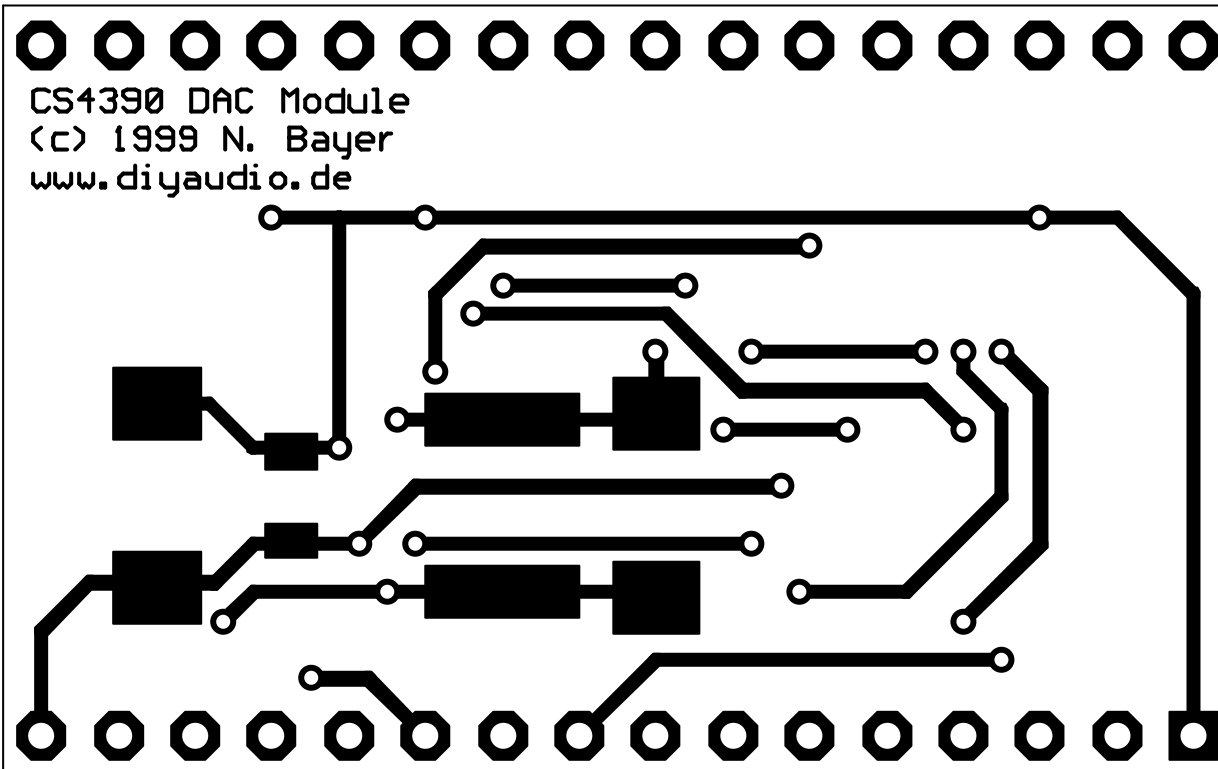
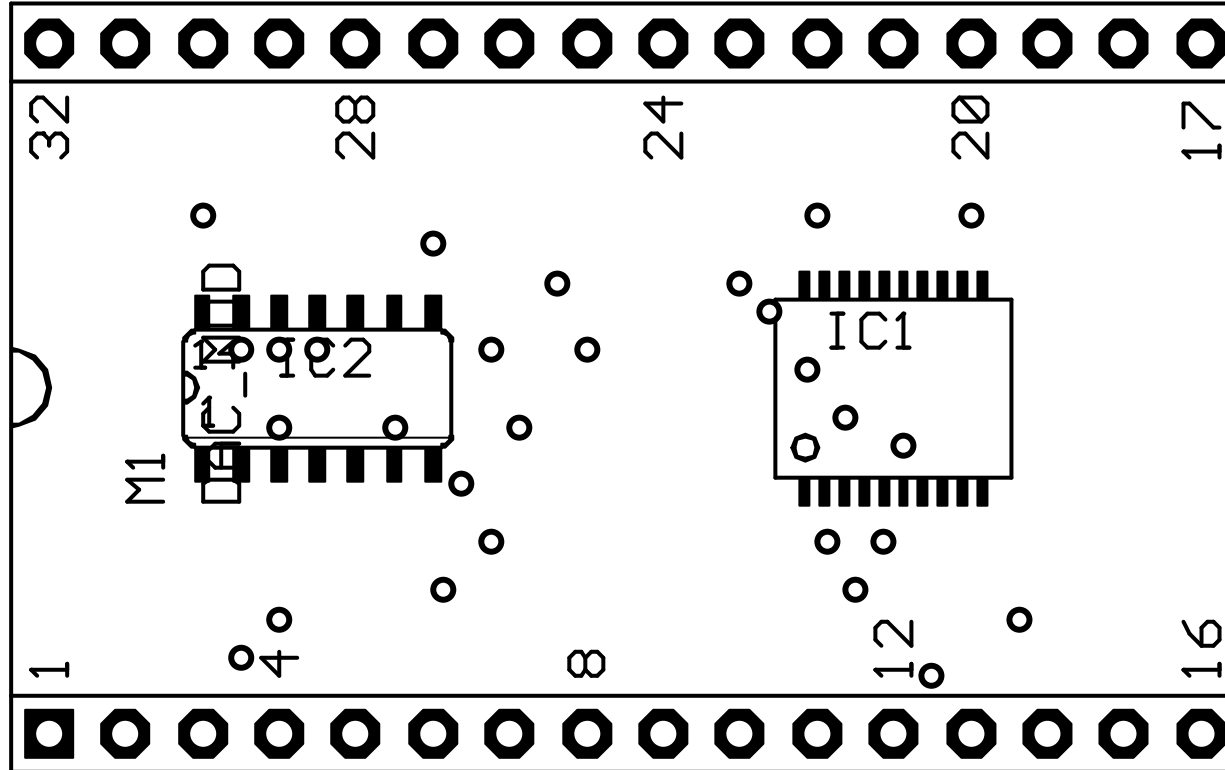
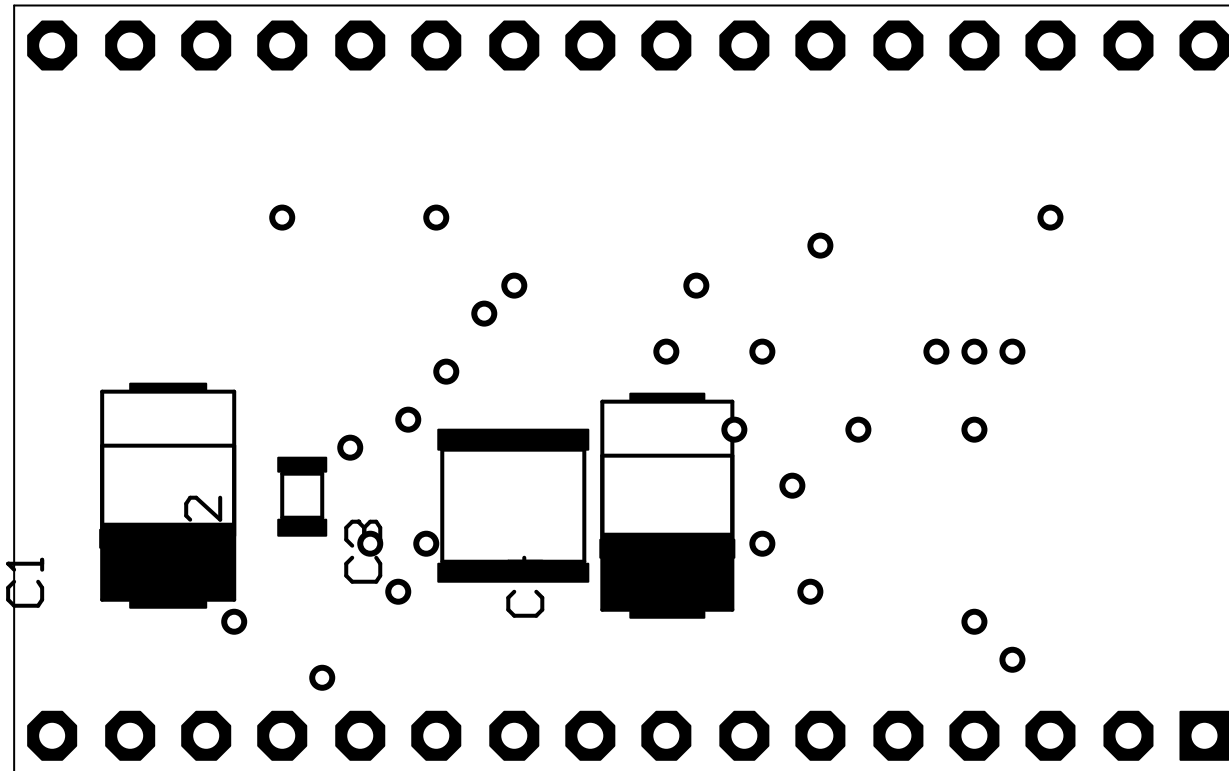


CS4390 DAC Module	
(c) 1999 Norbert Bayer	
TITLE: CS4390	
Document Number:	REV:
Date: 26.01.2000 21:05:44	Sheet: 1/1









Quantity	Designator	Description	Value
2	C1, C4	SMD Tantalum Capacitor	10 μ /35V
1	C2	X7R Ceramic Chip Capacitor	100n
1	C3	SMD Polyester Capacitor	100n
1	IC1	Crystal Sigma-Delta DAC	CS4390
1	IC2	SMD High Speed CMOS integrated Circuit	74HC00
1	M1	.100" single Row square Header	
1	n/a	Printed Circuit Board CS4390	