

AD1892 DIR/SRC Module  
 (c) 1999 Norbert Bayer

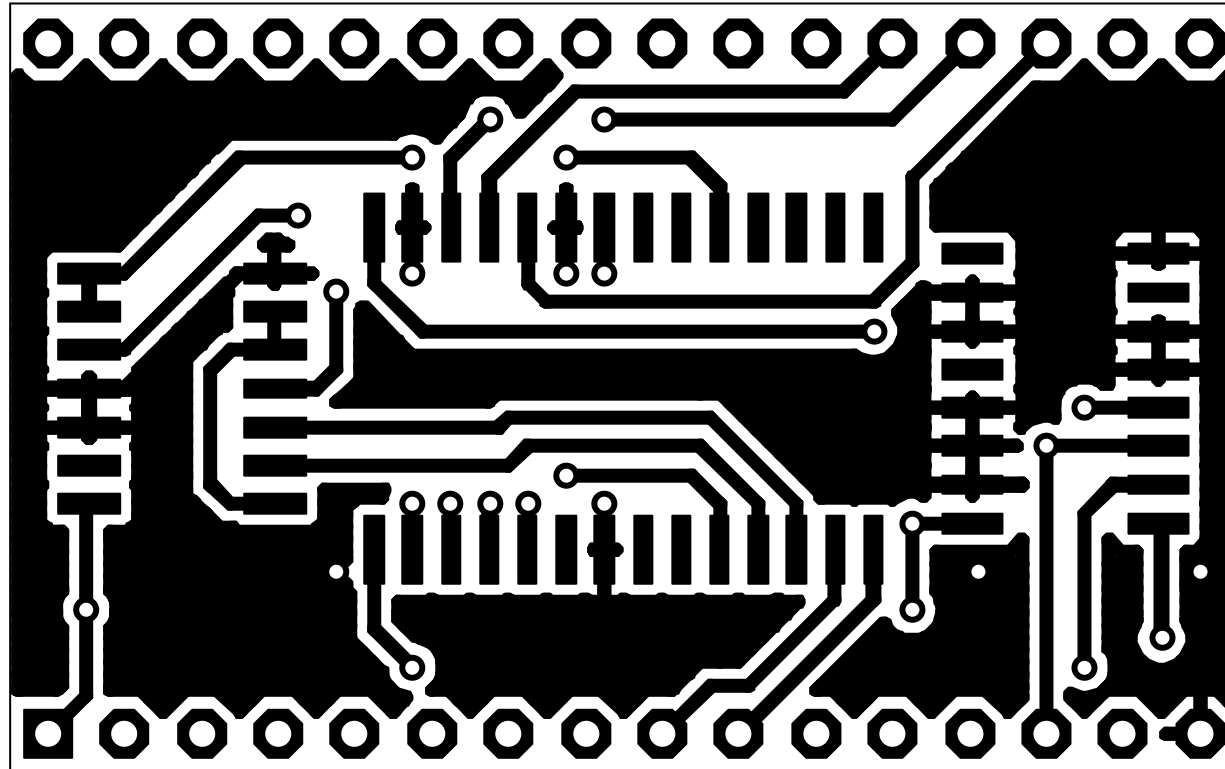
TITLE: AD1892

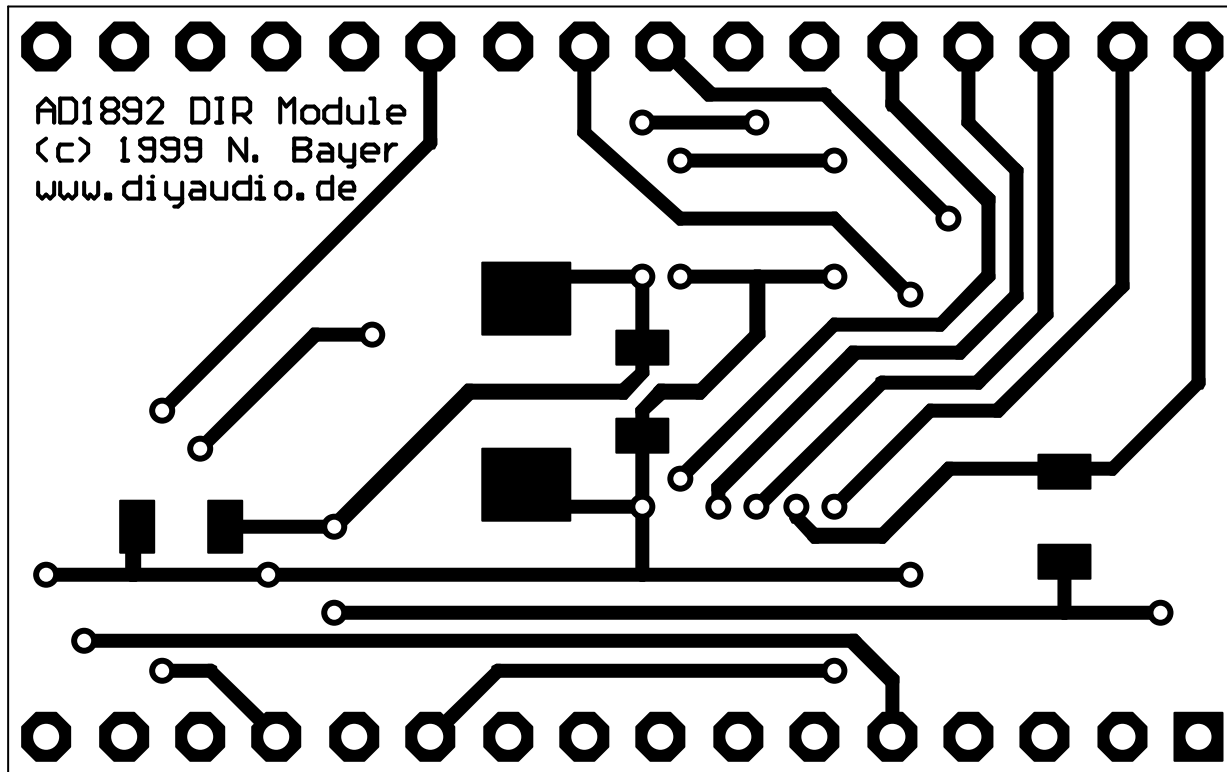
Document Number:

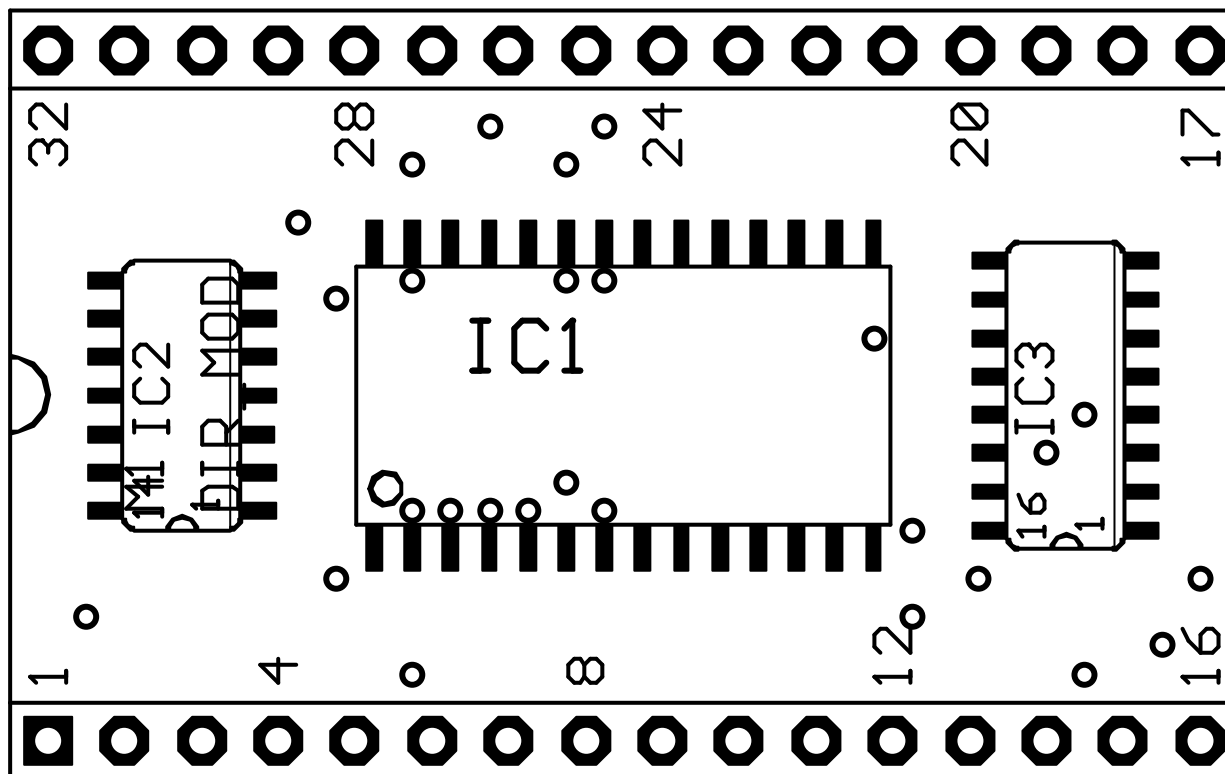
REV:

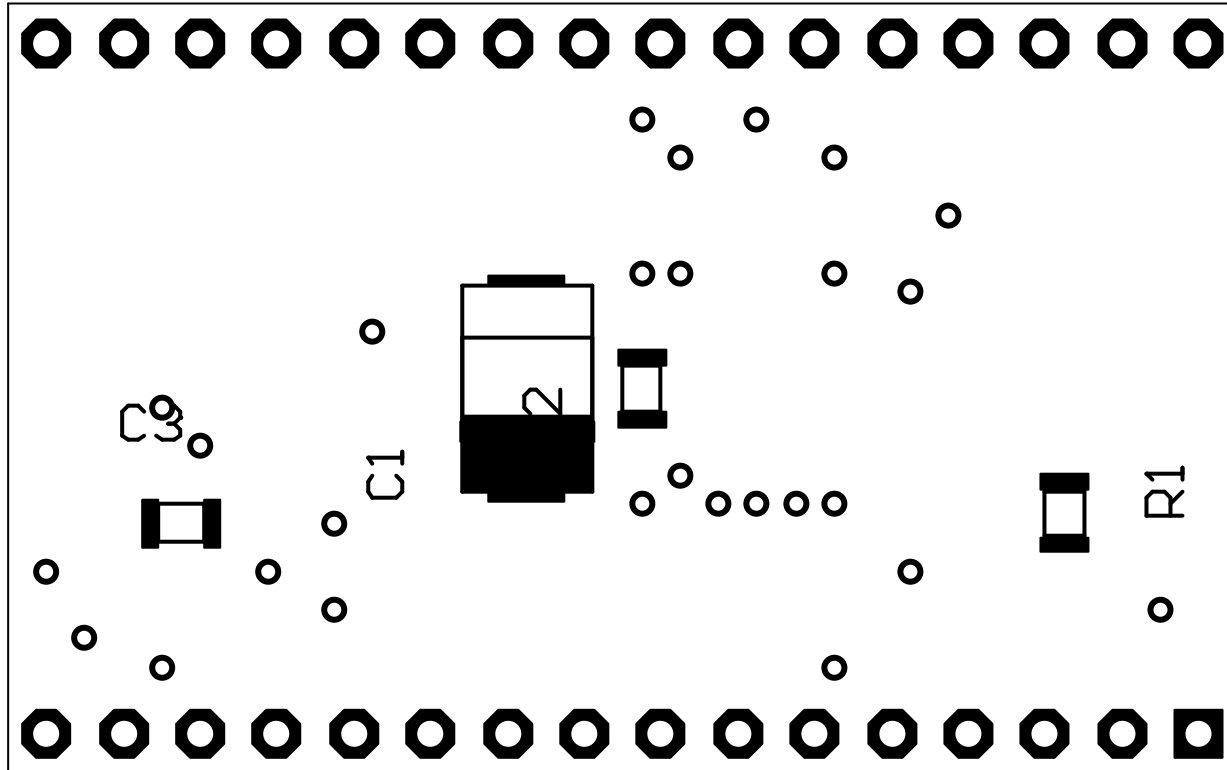
Date: 03.10.1999 15:50:48

Sheet: 1/1









| Quantity | Designator | Description   | Value         |
|----------|------------|---|---------------|
| 1        | C1         | SMD Tantalum Capacitor  | 10 $\mu$ /35V |
| 2        | C2, C3     | 0.25W Chip Resistor   | 100n          |
| 1        | IC1        | Analog Devices Digital Input Receiver / Sample Rate Converter | AD1892        |
| 1        | IC2        | SMD High Speed CMOS integrated Circuit                        | 74HC02        |
| 1        | IC3        | SMD High Speed CMOS integrated Circuit                        | 74HC157       |
| 1        | M1         | .100" single Row square Header                                |               |
| 1        | n/a        | Printed Circuit Board AD1892                                  |               |
| 1        | R1         | 0.25W Chip Resistor   | 10k           |