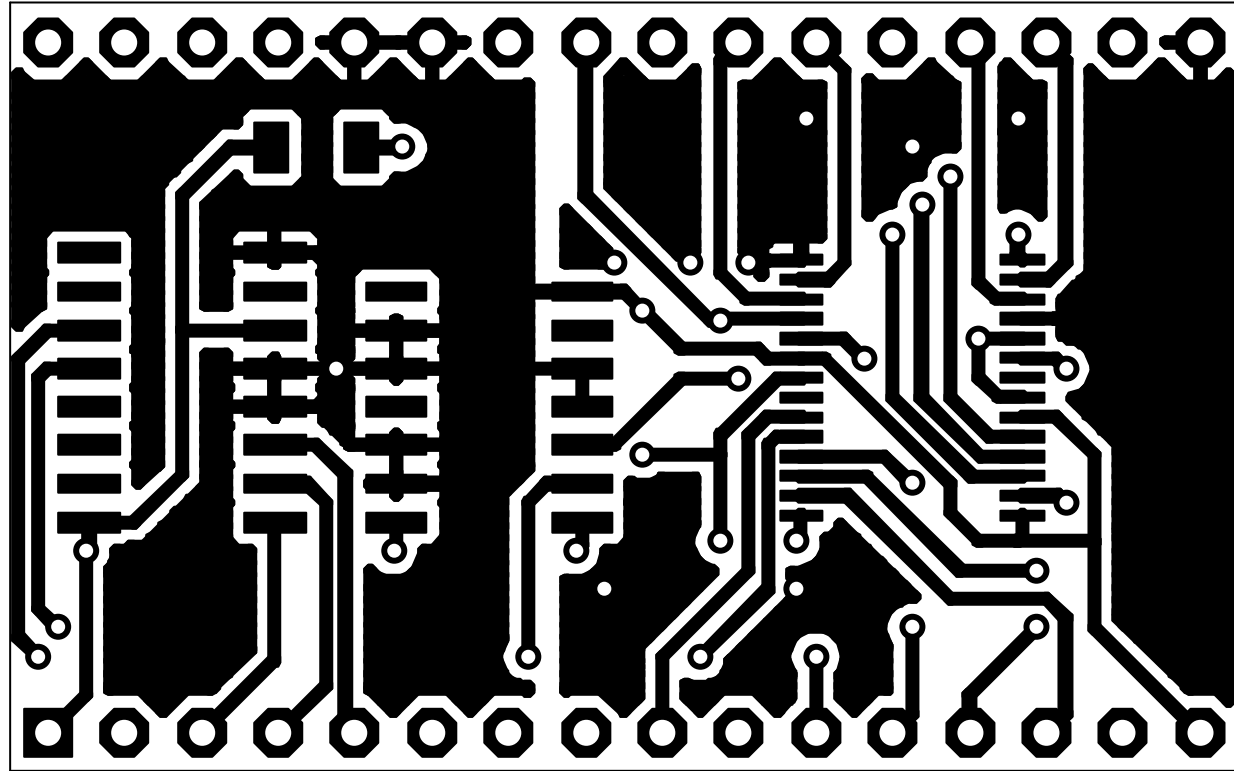
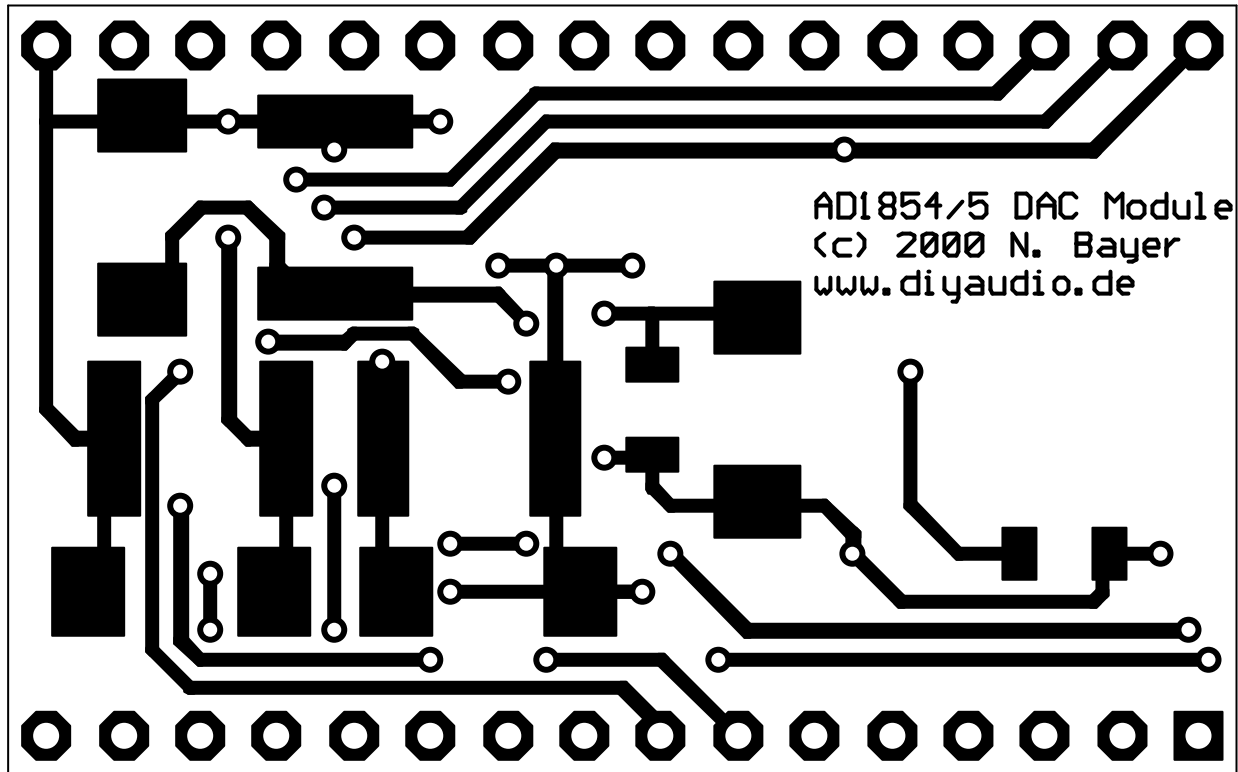
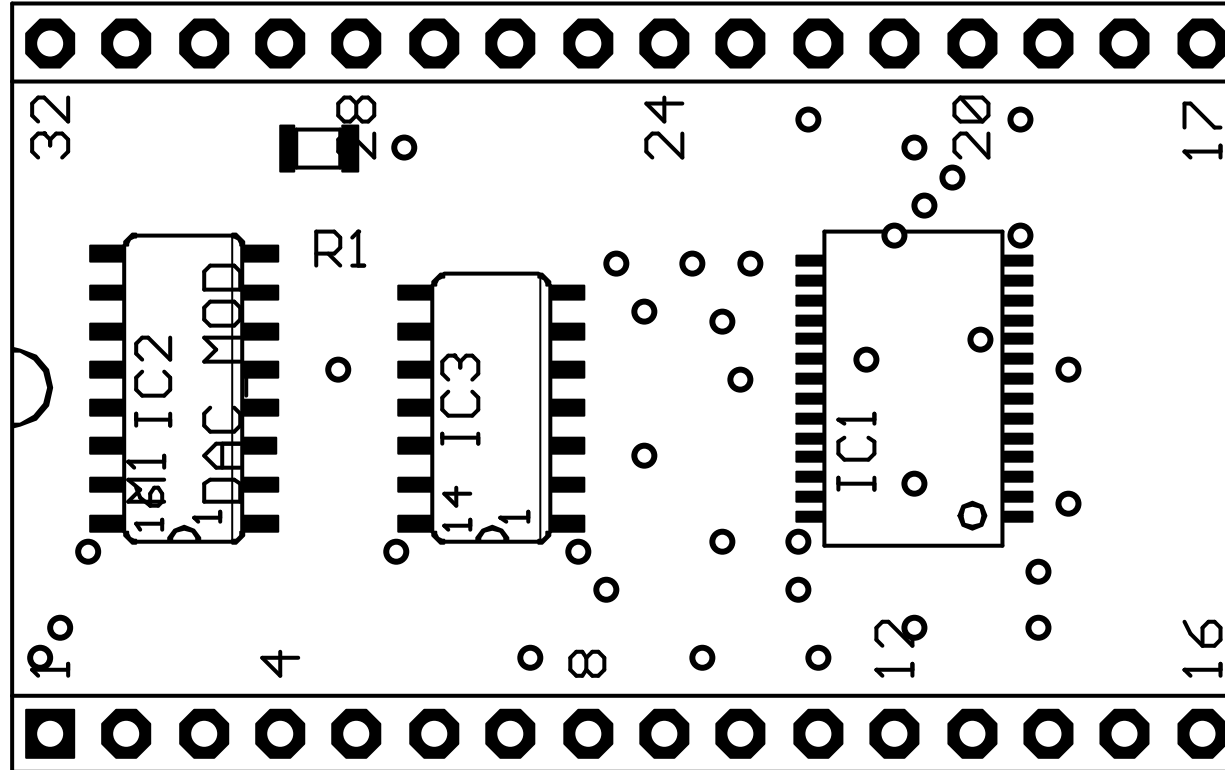
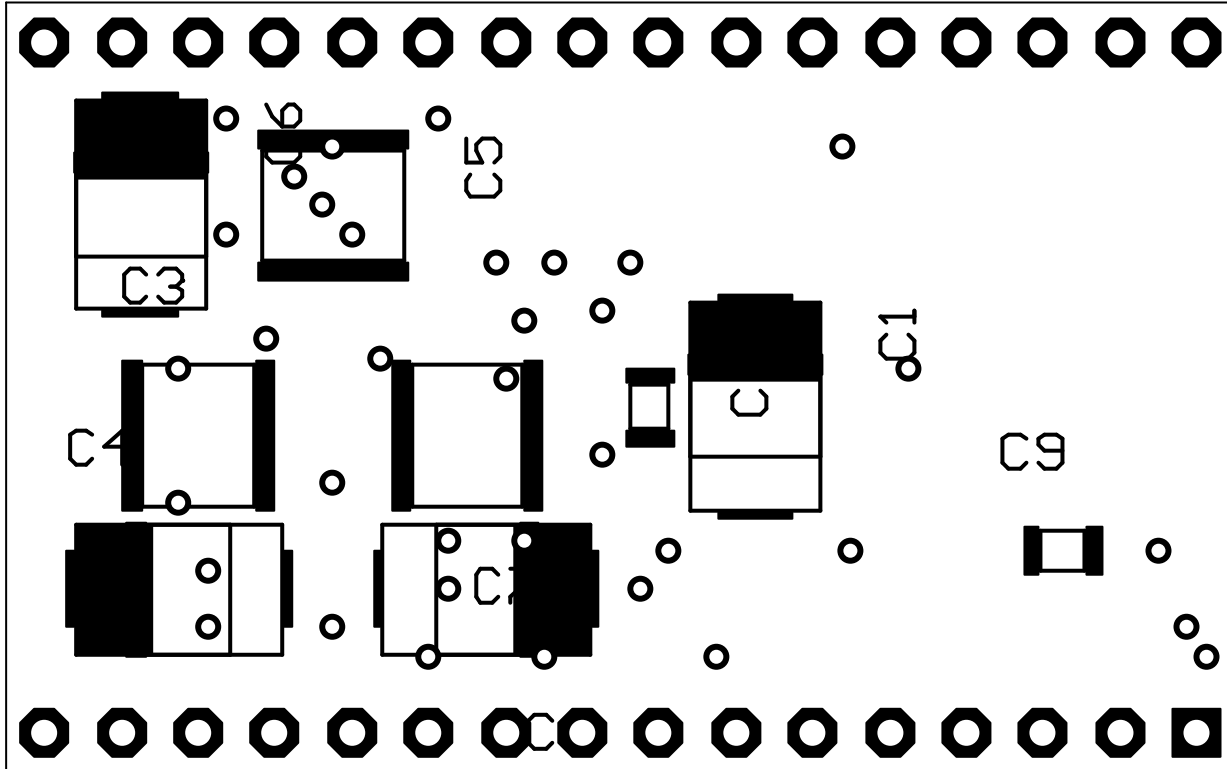


AD1855 DAC Module	
(c) 1999 Norbert Bayer	
TITLE: AD1855	
Document Number:	REV:
Date: 17.11.1999 22:57:04	Sheet: 1/1









Quantity	Designator	Description	Value
4	C1, C4, C6, C8	SMD Tantalum Capacitor	10 μ /35V
2	C2, C9	X7R Ceramic Chip Capacitor	100n
3	C3, C5, C7	SMD Polyester Capacitor	100n
1	IC1	Analog Devices Sigma-Delta DAC	AD1855
1	IC2	SMD High Speed CMOS integrated Circuit	74HC138
1	IC3	SMD High Speed CMOS integrated Circuit	74HC00
1	M1	.100" single Row square Header	
1	n/a	Printed Circuit Board AD1855/54	
1	R1	0.25W Chip Resistor	10k