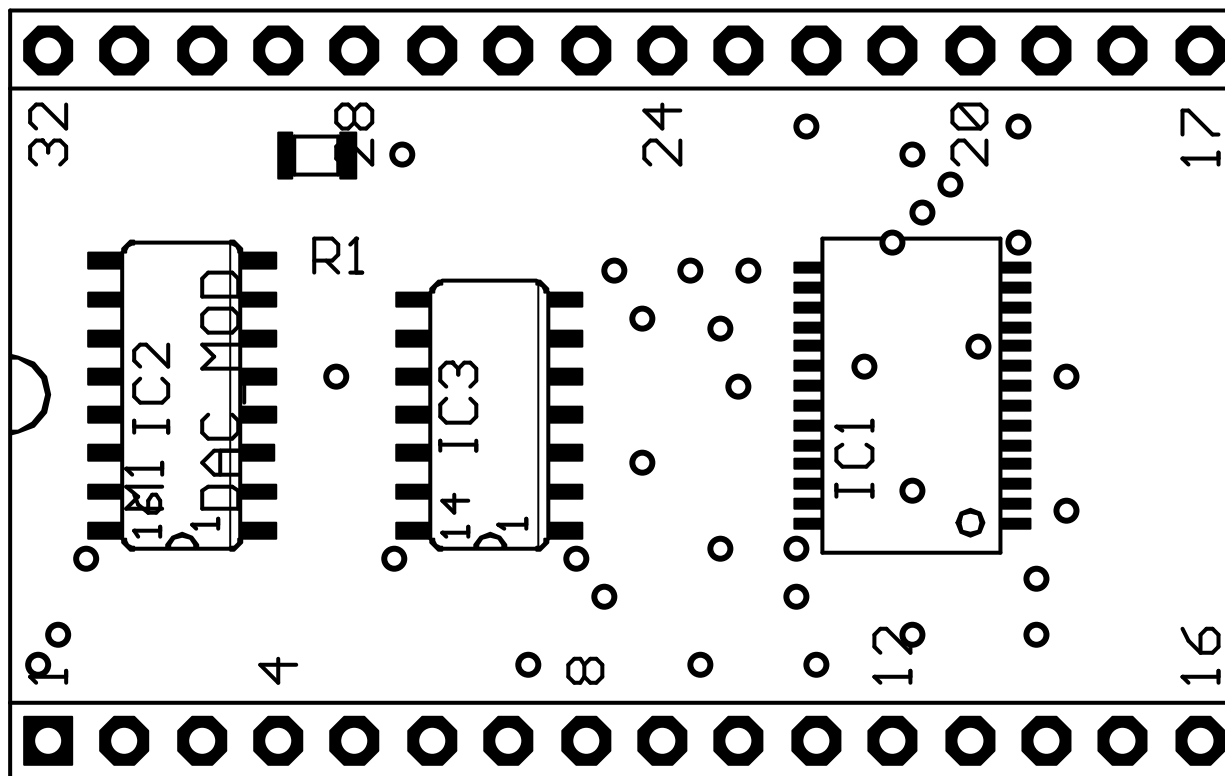
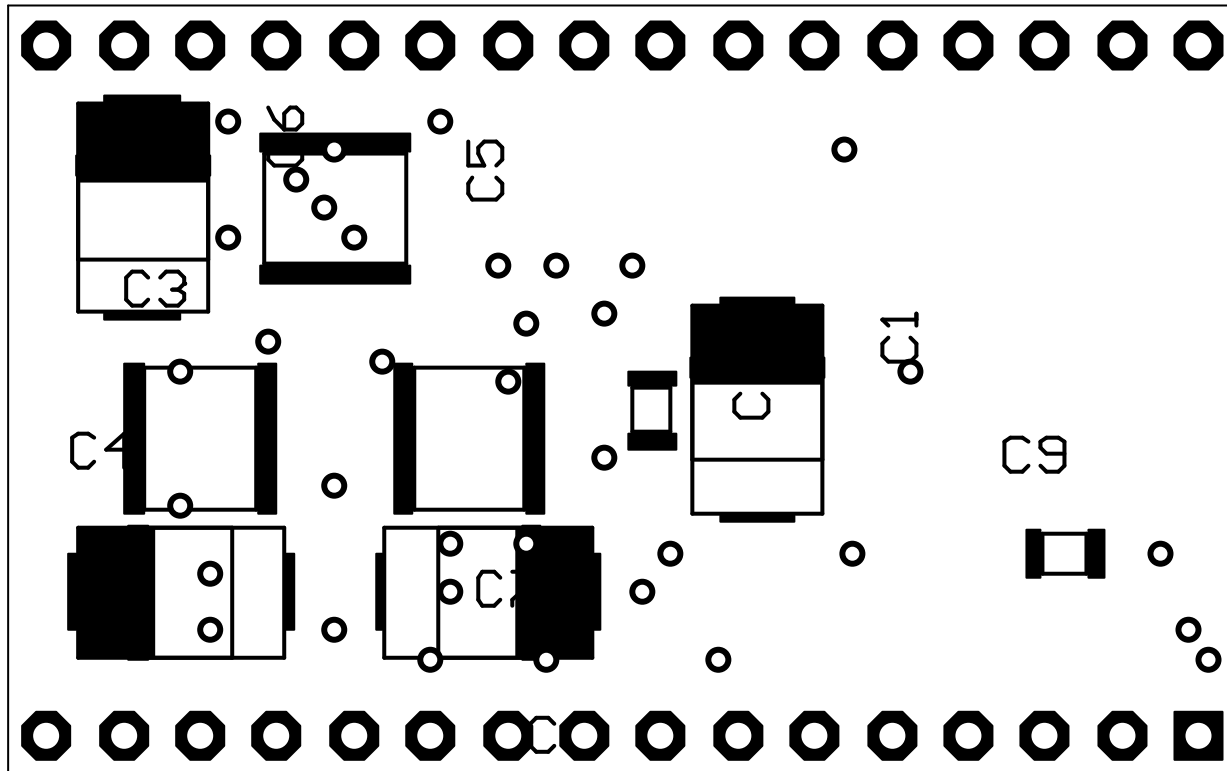


AD1852 DAC Module	
(c) 2000 Norbert Bayer	
TITLE: AD1852	
Document Number:	REV:
Date: 22.01.2000 23:16:58	Sheet: 1/1





Quantity	Designator	Description	Value
4	C1, C4, C6, C8	SMD Tantalum Capacitor	10 μ /35V
2	C2, C9	X7R Ceramic Chip Capacitor	100n
3	C3, C5, C7	SMD Polyester Capacitor	100n
1	IC1	Analog Devices Sigma-Delta DAC	AD1852
1	IC2	SMD High Speed CMOS integrated Circuit	74HC138
1	IC3	SMD High Speed CMOS integrated Circuit	74HC00
1	M1	.100" single Row square Header	
1	n/a	Printed Circuit Board AD1852	
1	R1	0.25W Chip Resistor	10k



Important Disclaimer

The content of this document is intellectual property of Norbert Bayer, Frankfurt, Germany, and is provided for your private, non-commercial and non-profit purposes only.

Any unauthorized commercial usage is prohibited.

The devices described may contain lethal voltages. Only experienced builders who have an advanced knowledge about electronics are allowed to build these devices.

No guarantee of any kind is given that the schematics and layouts will work for their given purposes and are free of errors.

Printed circuit boards are available on request on a non-commercial and private sales basis.